



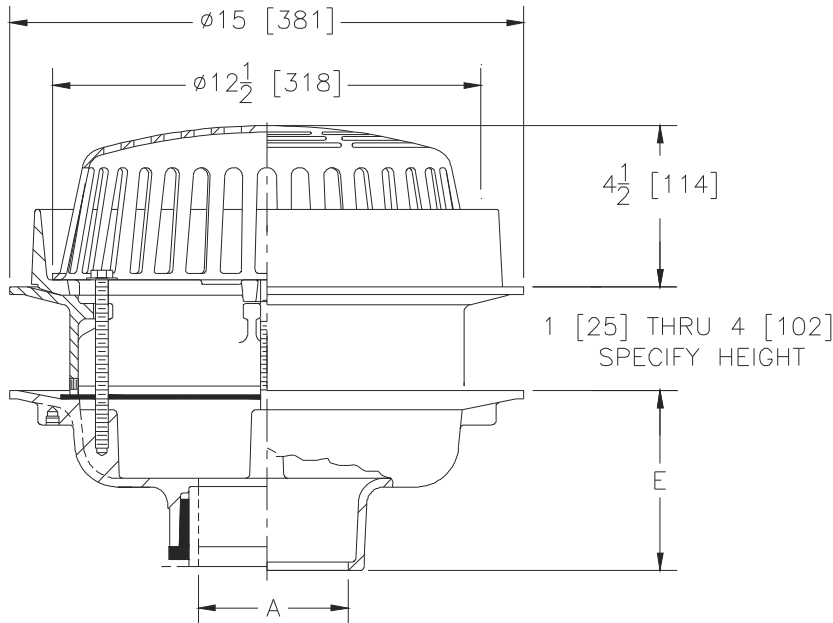
Z100-E-89

15 [381] DIAMETER MAIN ROOF DRAIN W/ STATIC EXTENSION AND 2 [51] EXTERNAL WATER DAM

SPECIFICATION SHEET

TAG _____

Dimensional Data (inches and [mm]) are Subject to Manufacturing Tolerances and Change Without Notice



A Pipe Size in [mm]	Approx Wt. lbs [kg]	Dome Open Area in ² [cm ²]
2,3,4 [51,76,102]	26 [12]	103 [665]
6 [152]	27 [12]	
8 [203]	28 [13]	

ENGINEERING SPECIFICATION: ZURN Z100-E-89

15" [381mm] Diameter roof drain. Dura-Coated cast iron body with combination membrane flashing clamp/gravel guard 2" [51mm] high external water dam, static extension and low silhouette Poly-Dome strainer.

OPTIONS (Check/specify appropriate options)

PIPE SIZE

- ___ 3,4,6 [76,102,152]
- ___ 2,3,4,6, 8 [51,76,102,152,203]
- ___ 2,3,4,6, 8 [51,76,102,152,203]
- ___ 2,3,4 [51,76,102]
- ___ 6 [152]

(Specify size/type) OUTLET

- ___ IC Inside Caulk
- ___ IP Threaded
- ___ NH No-Hub
- ___ NL Neo-Loc
- ___ NL Neo-Loc

E BODY HT. DIM.

- ___ 5-1/4 [133]
- ___ 3-3/4 [95]
- ___ 5-1/4 [133]
- ___ 4-5/8 [117]
- ___ 5-7/16 [138]

PREFIXES

- ___ Z D.C.C.I. Body with Poly-Dome*
- ___ ZA D.C.C.I. Body with Aluminum Dome
- ___ ZC D.C.C.I. Body with Cast Iron Dome
- ___ ZRB D.C.C.I. Body with Plain Bronze Dome

SUFFIXES

- | | |
|--|---|
| ___ -AC Angular Underdeck Clamp | ___ -G Galvanized Cast Iron |
| ___ -AR Acid Resistant Epoxy Coated | ___ -HD 6-3/4 [171] High Aluminum Dome (148 sq. in. [955 cm ²] open area) |
| ___ -C Underdeck Clamp | ___ -R Roof Sump Receiver |
| ___ -DE Deck Extension (Includes Deck Plate -DP) | ___ -SC Secondary Clamping Collar |
| ___ -DP Top-Set® Roof Deck Plate (Replaces both -C and -R) | ___ -SS Stainless Mesh Screen Over Dome |
| ___ -DR Top-Set® Drain Riser | ___ -ST Dome w/ Solid Top (ZA and ZC Only) |
| ___ -EA Adjustable Extension Assembly 2-1/8 [54] thru 3-1/2 [89] | ___ -TC Neo-Loc Test Cap Gasket (2,3,4 [51,76,102] NL Bottom Outlet Only) |
| ___ -EB Top-Set Adjustable Extension Assembly | ___ -VP Vandal Proof Secured Top |
| ___ -FG Flush Grate (Replaces Dome Strainer) | ___ -84 Stainless Steel Perforated Gravel Guard |
| | ___ -90 90° Threaded Side Outlet Body |

* Regularly furnished unless otherwise specified.