



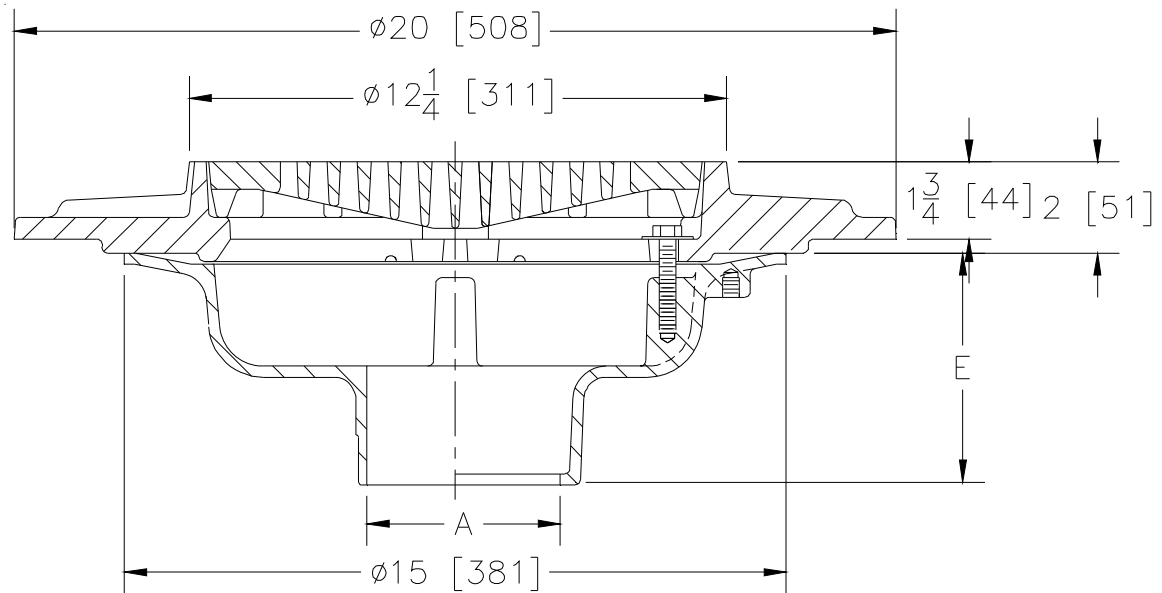
# Z534-94

12 [305] DIAMETER HEAVY-DUTY PARKING DECK  
DRAIN W/ SEEPAGE FLANGE

SPECIFICATION SHEET

TAG \_\_\_\_\_

Dimensional Data (inches and [ mm ]) are Subject to Manufacturing Tolerances and Change Without Notice



A- Pipe Size In.[mm]	Approx. Wt. Lbs. [kg]	Grate Open Area Sq. In. [cm <sup>2</sup> ]
2,3,4,5,6 [51,76,102,127,152]	78 [35]	30 [194]
8,10 [203,254]	80 [36]	

**ENGINEERING SPECIFICATION: ZURN Z534-94**  
12" [305mm] Diameter Parking Deck Drain, Dura-Coated cast iron body with bottom outlet, seepage flange, with heavy-duty slotted grate.

**OPTIONS** (Check/specify appropriate options)

PIPE SIZE	(Specify size/type)	OUTLET	'E' BODY HT. DIM.
2,3,4,5,6,8,10 [51,76,102,127,152,203,254]	___	IC Inside Caulk	5-1/4 [133]
2,3,4,6 [51,76,102,152]	___	IG Inside Gasket	5-1/4 [133]
2,3,4,5,6,8,10 [51,76,102,127,152,203,254]	___	IP Threaded	3-3/4 [95]
2,3,4,5,6,8,10 [51,76,102,127,152,203,254]	___	NH No-Hub	5-1/4 [133]
2,3,4 [51,76,102]	___	NL Neo-Loc	4-5/8 [117]

**PREFIXES**

- \_\_\_ Z D.C.C.I. Body and Top\*
- \_\_\_ ZB D.C.C.I. Body with Polished Bronze Top (Add 3/16 [5] to 2 [51] Dim and 3/4 [19] To 12-1/4 [311] Dim.)
- \_\_\_ ZN D.C.C.I. Body with Polished Nickel Bronze Top (Add 3/16 [5] to 2 [51] Dim and 3/4 [19] To 12-1/4 [311] Dim.)

**SUFFIXES**

- \_\_\_ -C Underdeck Clamp
- \_\_\_ -G Galvanized Cast Iron
- \_\_\_ -HP Heel-Proof Grate
- \_\_\_ -SA Stabilizer Assembly (See Z1036)
- \_\_\_ -TC Neo-Loc Test Cap Gasket (2,3,4 [51,76,102] NL Bottom Outlet Only)
- \_\_\_ -TS Top Secured with Slotted Screws
- \_\_\_ -VP Vandal-Proof Secured Top
- \_\_\_ -XJ Expansion Joint (See Z190) (Use with IP Type Outlets)
- \_\_\_ -Y Sediment Bucket

\* Regularly furnished unless otherwise specified.