



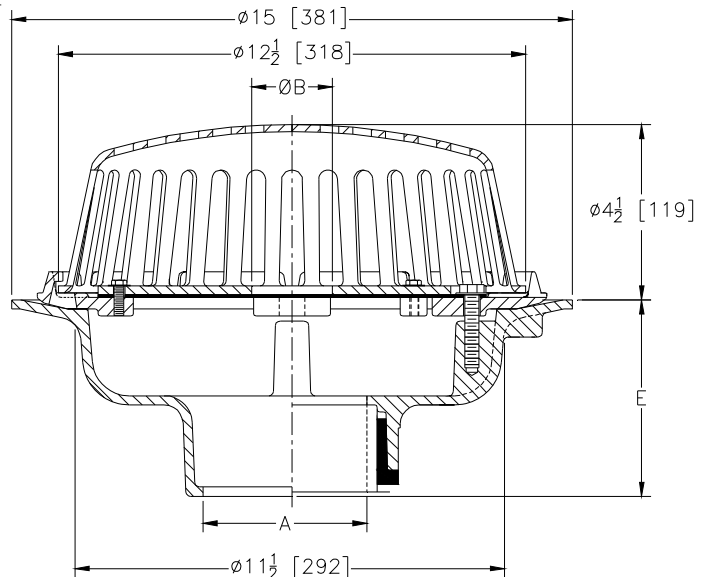
Z100-300

15 [381] DIAMETER MAIN ROOF DRAIN W/ LOW SILHOUETTE DOME AND CUSTOM GASKETED FLOW RESTRICTING PLATE

SPECIFICATION SHEET

TAG _____

Dimensional Data (inches and [mm]) are Subject to Manufacturing Tolerances and Change Without Notice



| | |
|--------------------------|-------------|
| B- Orifice Size-In. [mm] | .937 [23.8] |
| Max Flow Rate-GPM (CFS) | 3 [0.007] |
| Max Head Depth-In. [mm] | 1 [25.4] |

| A- Pipe Size In. [mm] | Approx. Wt. Lbs. [kg] | Dome Open Area Sq. In. [cm ²] |
|-----------------------|-----------------------|---|
| 2,3,4 [51,76,102] | 26 [12] | 103 [665] |
| 5,6 [127,152] | 27 [12] | |
| 8 [203] | 28 [13] | |

ENGINEERING SPECIFICATION: ZURN Z100-300

15" [381mm] Diameter roof drain. Dura-Coated cast iron body with combination membrane flashing clamp/gravel guard, gasketed flow restricting plate and low silhouette Poly-Dome.

OPTIONS (Check/specify appropriate options)

PIPE SIZE

- 2,3,4,5,6,8 [51,76,102,127,152,203]
- 2,3,4,5,6,8 [51,76,102,127,152,203]
- 2,3,4,5,6,8 [51,76,102,127,152,203]
- 2,3,4,5,6,8 [51,76,102,127,152,203]

PREFIXES

- ___ Z D.C.C.I. Body with Poly-Dome*
- ___ ZA D.C.C.I. Body with 6-3/4 [171] High Aluminum Dome
- ___ ZC D.C.C.I. Body with Cast Iron Dome
- ___ ZRB D.C.C.I. Body with Plain Bronze Dome

SUFFIXES

- ___ -AC Angular Underdeck Clamp
- ___ -AR Acid Resistant Epoxy Coated
- ___ -BS Bronze Mesh Screen Over Dome
- ___ -C Underdeck Clamp
- ___ -DP Top-Set® Deck Plate (Replaces both the -C and -R)
- ___ -DR Top-Set® Drain Riser
- ___ -DX Dex-o-tex Flange
- ___ -E Static Extension 1 [25] thru 4 [102] (Specify Ht.)
- ___ -EA Adjustable Extension Assembly 1-3/4 [44] thru 3-1/2 [89]
- ___ -EB Top-Set® Adjustable Extension Assembly
- ___ -ES Static Extension with Secondary Clamp at Body (for clamping waterproofing membrane at roof drain body)

(Specify size/type) OUTLET

- ___ IC Inside Caulk
- ___ IP Threaded
- ___ NH No-Hub
- ___ NL Neo-Loc

E BODY HT. DIM.

- 5-1/4 [133]
- 3-3/4 [95]
- 5-1/4 [133]
- 4-5/8 [117]

- ___ -G Galvanized Cast Iron
- ___ -GD Galvanized Cast Iron Dome (ZC Only)
- ___ -HD 6-3/4 [171] High Aluminum Dome Strainer (148 Sq. In. [955 cm²] Open Area)
- ___ -R Roof Sump Receiver
- ___ -SC Secondary Clamping Collar
- ___ -SS Stainless Steel Mesh Screen Over Dome
- ___ -TC Neo-Loc Test Cap Gasket (2,3,4 [51,76,102] NL Bottom Outlet Only)
- ___ -VP Vandal-Proof Secured Top
- ___ -XJ Vertical Expansion Joint (See Z190)
- ___ -84 Stainless Steel Perforated Gravel Guard
- ___ -85 Stainless Steel Perforated Extension
- ___ -90 90° Threaded Side Outlet Body (2,3,4,5,6 [51,76,102,127,152])

* Regularly furnished unless otherwise specified.