



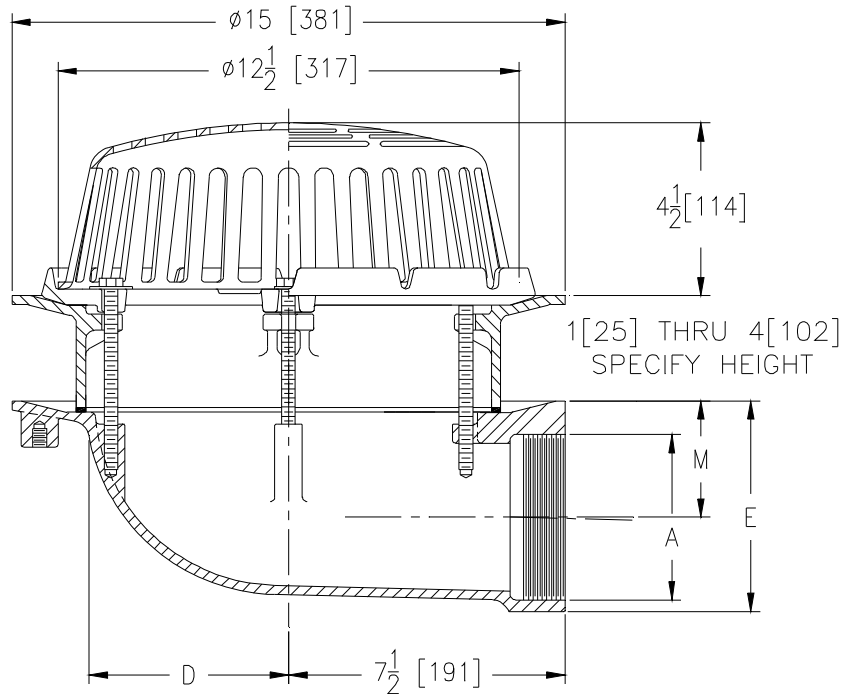
# Z100-E-90

15 [381] DIAMETER MAIN ROOF DRAIN W/ STATIC  
EXTENSION AND 90° SIDE OUTLET

SPECIFICATION SHEET

TAG \_\_\_\_\_

Dimensional Data (inches and [ mm ]) are Subject to Manufacturing Tolerances and Change Without Notice



Dimensions in inches [mm]			Approx Wt. lbs [kg]	Dome Open Area in <sup>2</sup> [cm <sup>2</sup> ]
A Pipe Size	D	M		
2 [51]	5-1/2 [140]	4-1/4 [108]	32 [15]	103 [665]
3 [76]		3-3/4 [95]	33 [15]	
4 [102]		3-1/4 [83]	34 [15]	
6 [152]	5-7/8 [149]	4-1/4 [108]	37 [17]	

**ENGINEERING SPECIFICATION:** ZURN Z100-E-90  
15" [381 mm] Diameter roof drain. 90° threaded side outlet body with combination membrane flashing clamp/gravel guard, static extension and low silhouette Poly-Dome strainer.

**OPTIONS** (Check/specify appropriate options)

**PIPE SIZE**

2,3,4 [51,76,102]  
6 [152]

(Specify size/type) **OUTLET**

\_\_\_\_\_ IP Threaded  
\_\_\_\_\_ IP Threaded

**E BODY HT. DIM.**

5-3/4 [146]  
7-7/8 [200]

**PREFIXES**

\_\_\_\_\_ Z D.C.C.I. Body with Poly-Dome\*  
\_\_\_\_\_ ZA D.C.C.I. Body with Aluminum Dome

\_\_\_\_\_ ZC D.C.C.I. Body with Cast Iron Dome  
\_\_\_\_\_ ZRB D.C.C.I. Body with Plain Bronze Dome

**SUFFIXES**

\_\_\_\_\_ -AR Acid Resistant Epoxy Coated  
\_\_\_\_\_ -AW 3/4 [19] to 4 [102] Adjustable Water Level Regulator (Specify Height) (ZC Only)  
\_\_\_\_\_ -C Underdeck Clamp  
\_\_\_\_\_ -DP Top-Set® Roof Deck Plate (Replaces both -C and -R)  
\_\_\_\_\_ -EA Adjustable Extension Assembly 2-1/8 [54] thru 3-1/2 [89]  
\_\_\_\_\_ -FG Flush Grate (Replaces Dome Strainer)  
\_\_\_\_\_ -G Galvanized Cast Iron

\_\_\_\_\_ -HD 6-3/4 [171] High Aluminum Dome (148 sq. in. [955 cm<sup>2</sup>] open area)  
\_\_\_\_\_ -R Roof Sump Receiver  
\_\_\_\_\_ -SC Secondary Clamping Collar  
\_\_\_\_\_ -SS Stainless Mesh Screen Over Dome  
\_\_\_\_\_ -ST Dome w/ Solid Top (ZA and ZC Only)  
\_\_\_\_\_ -VP Vandal Proof Secured Top  
\_\_\_\_\_ -W2 2 [51] Internal Water Dam  
\_\_\_\_\_ -W3 3 [76] Internal Water Dam  
\_\_\_\_\_ -W4 4 [102] Internal Water Dam  
\_\_\_\_\_ -84 Stainless Steel Perforated Gravel Guard  
\_\_\_\_\_ -85 Stainless Steel Perforated Extension

\* Regularly furnished unless otherwise specified.