

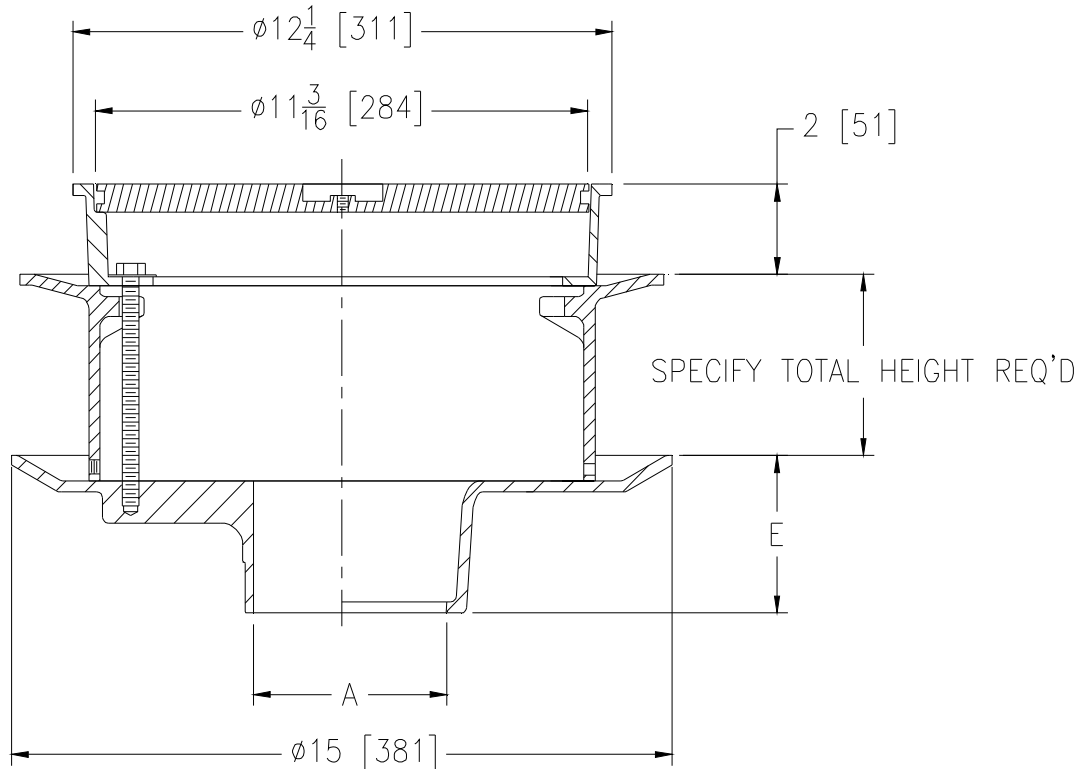


# Z504-78

SPECIFICATION SHEET

## 12 [305] HEAVY-DUTY DRAIN, 4 [102] EXTENSION FRAME, TAG \_\_\_\_\_ AND VANDAL PROOF COVER W/ LIFT HANDLE

Dimensional Data (inches and [ mm ]) are Subject to Manufacturing Tolerances and Change Without Notice



A- Pipe Size In.	Approx. Wt. Lbs. [kg]	Grate Open Area Sq. In. [cm <sup>2</sup> ]
3-4-6 [76-102-152]	32 [15]	30 [194]

**ENGINEERING SPECIFICATION:** ZURN Z504 12 [305] Diameter top drain-Dura-Coated cast iron body with bottom outlet, seepage pan and combination membrane flashing clamp and 4 [102] extension frame for Vandal Proof Solid Cover with Lift Handle.

**OPTIONS** (Check/specify appropriate options)

**PIPE SIZE**

- 3-4-6 [76-102-152]
- 3-4-6 [76-102-152]
- 3-4-6 [76-102-152]
- 3-4-6 [76-102-152]
- 3-4 [76-102]

(Specify size/type) **OUTLET**

- \_\_\_ IC Inside Caulk
- \_\_\_ IG Inside Gasket
- \_\_\_ IP Threaded
- \_\_\_ NH No-Hub
- \_\_\_ NL Neo-Loc

**'E' BODY HT. DIM.**

- 3-1/2 [89]
- 3-1/2 [89]
- 3-1/2 [89]
- 3-1/2 [89]
- 2-5/8 [67]

**PREFIXES**

- \_\_\_ Z D.C.C.I. Body and Top\*

**SUFFIXES**

- \_\_\_ -AR Acid Resisting Epoxy Coated Cast Iron
- \_\_\_ -G Galvanized Cast Iron
- \_\_\_ -P Trap Primer Connection
- \_\_\_ -S Secondary Strainer
- \_\_\_ -TC Neo-Loc Test Cap Gasket  
(3 - 4 [76 - 102] NL Bottom Outlet Only)
- \_\_\_ -V Backwater Valve (See Z1099)
- \_\_\_ -Y Sediment Bucket

REV.	DATE: 06/27/11	C.N. NO. 121494
DWG. NO. 306439 PRODUCT NO. Z504-78		

\*REGULARLY FURNISHED UNLESS OTHERWISE SPECIFIED

ZURN INDUSTRIES, LLC. ♦ SPECIFICATION DRAINAGE OPERATION ♦ 1801 Pittsburgh Ave. ♦ Erie, PA 16514

Phone: 814/455-0921 ♦ Fax: 814/454-7929 ♦ World Wide Web: www.zurn.com

In Canada: ZURN INDUSTRIES LIMITED ♦ 3544 Nashua Drive ♦ Mississauga, Ontario L4V1L2 ♦ Phone: 905/405-8272 Fax: 905/405-1292