



Z1201-H_4-125

EZCARRY™ ADJUSTABLE HORIZONTAL HIGH PERFORMANCE
SIPHON JET HUB WATER CLOSET CARRIER SYSTEM W/ 2 [51]
AUXILIARY INLET W/ 1/8 BEND & EXTENDED BARREL

SPECIFICATION SHEET

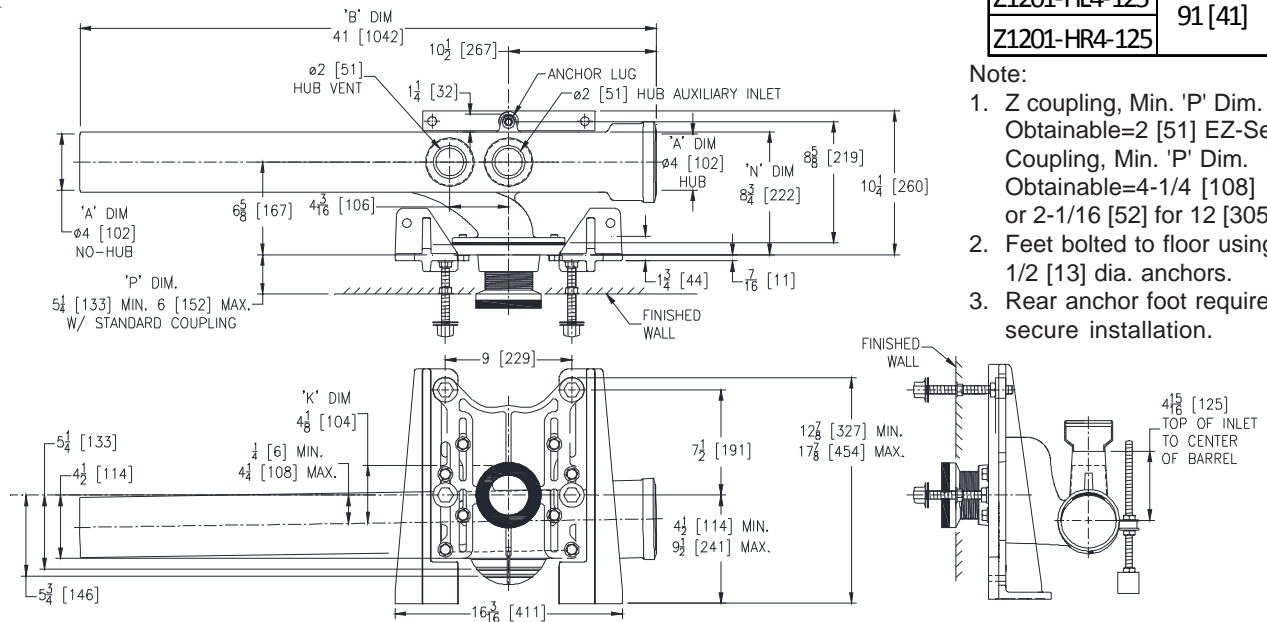
TAG _____

Dimensional Data (inches and [mm]) are Subject to Manufacturing Tolerances and Change Without Notice

Product Number	Approx. Wt. Lbs. [kg]
Z1201-HL4-125	91 [41]
Z1201-HR4-125	

Note:

- Z coupling, Min. 'P' Dim. Obtainable=2 [51] EZ-Set™ Coupling, Min. 'P' Dim. Obtainable=4-1/4 [108] or 2-1/16 [52] for 12 [305] NPT
- Feet bolted to floor using min. 1/2 [13] dia. anchors.
- Rear anchor foot required for secure installation.



Z1201-HR_4-125 Illustrated

ENGINEERING SPECIFICATION: ZURN Z1201-H_4-125

EZCarry™ horizontal siphon jet water closet carrier system with high performance waterway and 4" [102mm] hub and spigot connections. System includes Dura-Coated cast iron main fitting with hydro-mechanically optimized sweep, 2" [51mm] auxiliary inlet with 1/8 bend, and extended 2" [51mm] vent, adjustable gasketed faceplate, universal floor mounted pre-fab slotted foot supports, heavy-duty 1/2" [13mm] rear anchor tie down, fixture bolts, trim, stud protectors, bonded "Neo-Seal" gasket, extended barrel, and corrosion resistant, adjustable 3" [76mm] dia. X 6" [152mm] coupling with integral test cap designed to increase flow velocity and line carry. EZCarry system complies with the requirements of ASME A112.6.1M up to a 750 lbs [340 kg] static load rating.

OPTIONS (Check/specify appropriate options)

- ___ Z1201-HL4-125 4 [102] Hub Left Hand Inlet with Flow to Right
 ___ Z1201-HR4-125 4 [102] Hub Right Hand Inlet with Flow to Left

PREFIXES

- ___ Z D.C.C.I. System with Zurn ZZ Adjustable Coupling*
 ___ ZQ D.C.C.I. System with NPT Faceplate, Non-Adjustable Coupling

SUFFIXES

- | | | | |
|---------|---|------------|---|
| ___ -A | Auxiliary Support Assembly (For 'P' Dim. Greater than 18 [457]) | ___ -F | Floor Mounted, Back Outlet Fixture Support |
| ___ -CC | Corrosion Resistant Cast Iron Coupling (2-1/4 [57] to 12 [305]) | ___ -G | Galvanized Cast Iron |
| ___ -CE | EZ-Set™ Coupling (Available 6 [152], 12 [305] or longer when specified. Minimum length=5 [127]) | ___ -M | Auxiliary Foot Support (for 'P' Dim. 10 thru 18 [254 thru 457]) |
| ___ -CL | Custom Length Standard Coupling with Integral Test Cap (Specify Length 4, 8, 10, 12 [102, 203, 254, 305]) | ___ -RYK | Unistrut Pre-Fab Foot Support |
| ___ -CS | 2-1/4 [57] Polymer Coupling with Integral Test Cap | ___ -RYK17 | One Piece Unistrut Pre-Fab Foot |
| | | ___ -VP | Vandal-Proof Trim |
| | | ___ -45 | Finishing Frame for Siphon Jet System |
| | | ___ -50 | Flush Valve Supply Support for Water Closets |

* Regularly furnished unless otherwise specified.