

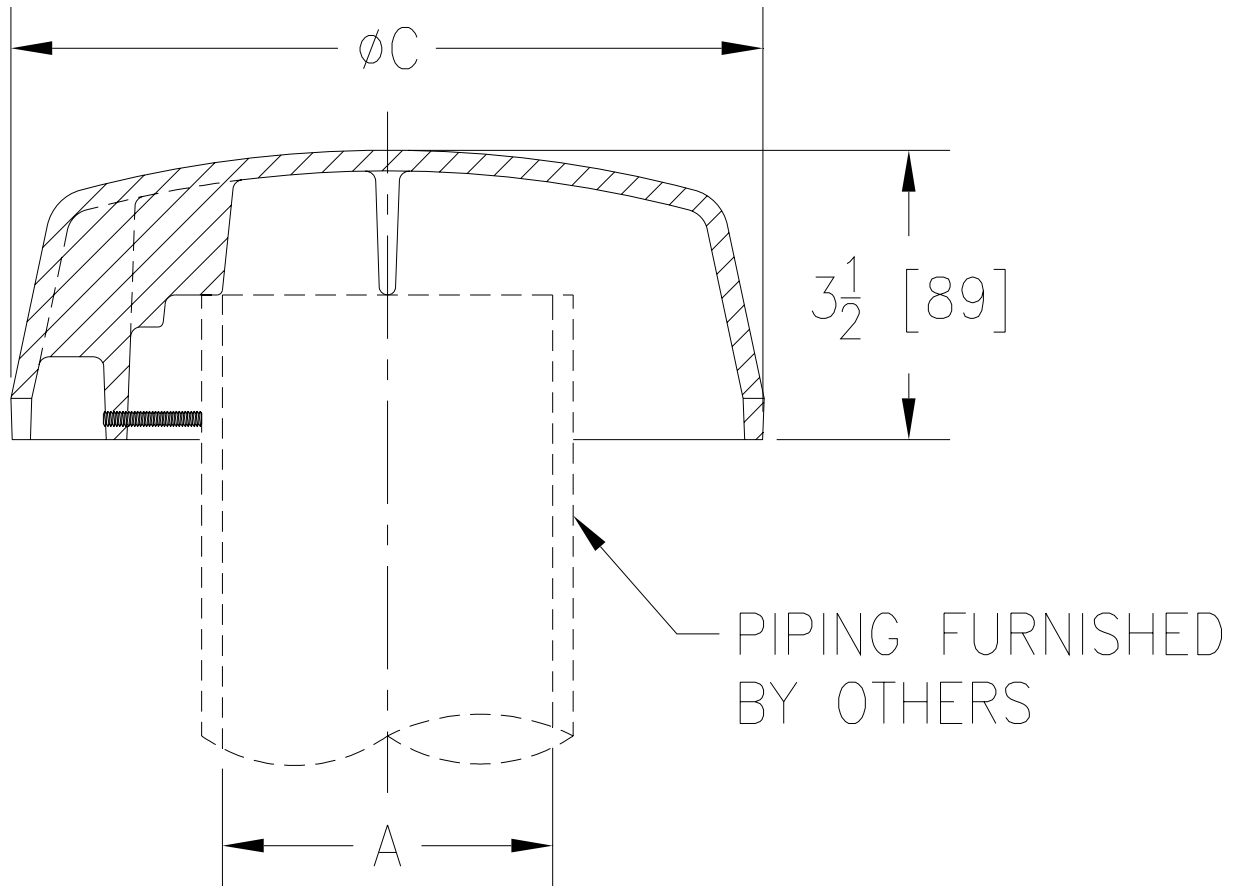


**Z193-77
VANDAL PROOF
HOODED VENT CAP**

SPECIFICATION SHEET

TAG _____

Dimensional Data (inches and [mm]) are Subject to Manufacturing Tolerances and Changes Without Notice



A Pipe Size Inches	Dimensions In Inches [mm]	Approx. Wt. Lbs. [kg]	Open Area Sq. In. [cm ²]
	C		
1 1/2 - 2 [38-51]	6 3/8 [162]	6 [3]	2:1
3 [76]	7 5/8 [194]	9 [4]	
4 [102]	9 1/8 [232]	11 [5]	
5 [127]	10 1/8 [257]	13 [6]	
6 [152]	11 5/8 [295]	15 [7]	

ENGINEERING SPECIFICATION: ZURN Z193-77 Vandal Proof Vent Cap, Dura-Coated cast iron hooded dome cap, and vandal proof securing device.

OPTIONS (Check/specify appropriate options)

PREFIXES

___ Z D.C.C.I. Dome Cap*

SUFFIXES

___ -G Galvanized Cast Iron

REV.	DATE: 7/21/06	C.N. NO. 95356
DWG. NO. P-15307 PRODUCT NO. Z193-77		

*REGULARLY FURNISHED UNLESS OTHERWISE SPECIFIED