



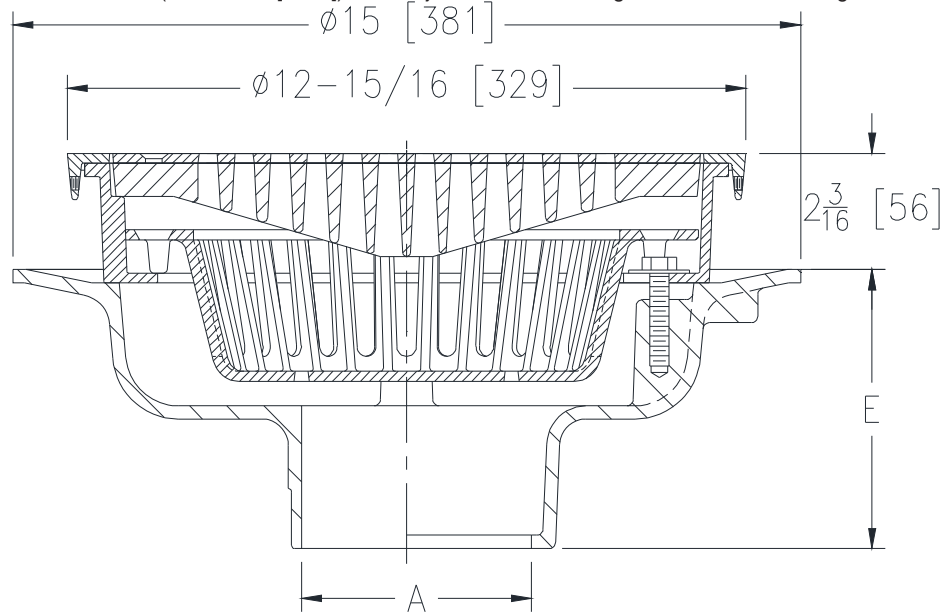
# ZN541

12-15/16 [329] DIAMETER HEAVY-DUTY DRAIN  
W/ NICKEL BRONZE VENEER FRAME & GRATE

SPECIFICATION SHEET

TAG \_\_\_\_\_

Dimensional Data (inches and [ mm ]) are Subject to Manufacturing Tolerances and Change Without Notice



A- Pipe Size In. [mm]	Approx. Wt. Lbs. [kg]	Grate Open Area Sq. In. [cm <sup>2</sup> ]
2,3,4,6 [51,76,102,152]	52 [24]	30 [194]
8 [203]	54 [25]	

### ENGINEERING SPECIFICATION: ZURN ZN541

12-15/16" [329mm] Diameter top drain. Dura-Coated cast iron body with bottom outlet, seepage pan and combination membrane flashing clamp and frame w/ nickel bronze veneer frame and grate for anti-tilt heavy-duty slotted grate with suspended polypropylene sediment bucket.

### OPTIONS (Check/specify appropriate options)

#### PIPE SIZE

(Specify size/type) **OUTLET**

#### 'E' BODY HT. DIM.

3,4,6 [76,102,152]	_____ IC	Inside Caulk	5-1/4 [133]
3,4,6 [76,102,152]	_____ IG	Inside Gasket	5-1/4 [133]
2,3,4,6,8 [51,76,102,152,203]	_____ IP	Threaded	3-3/4 [95]
2,3,4,6,8 [51,76,102,152,203]	_____ NH	No-Hub	5-1/4 [133]
2,3,4 [51,76,102]	_____ NL	Neo-Loc	4-5/8 [117]

#### PREFIXES

_____ ZB	D.C.C.I. Body w/ Polished Bronze Top
_____ ZN	D.C.C.I. Body w/ Polished Nickel Bronze Top*

#### SUFFIXES

_____ -AR	Acid Resisting Epoxy Coated Cast Iron	_____ -SS	Stainless Mesh Liner for Bucket
_____ -DG	Duresist Grate	_____ -TC	Neo-Loc Test Cap Gasket (2,3,4 [51,76,102] NL Bottom Outlet Only)
_____ -DX	Dex-O-Tex Flange	_____ -TG	Tractor Grate
_____ -G	Galvanized Cast Iron	_____ -TS	Top Secured with Slotted Screws
_____ -H	Hinged Grate	_____ -V	Backwater Valve (See Z1099)
_____ -HP	Heel-Proof Grate	_____ -VP	Vandal-Proof Secured Top
_____ -LY	(Less) Sediment Bucket	_____ -YC	Cast Iron Sediment Bucket
_____ -P	Trap Primer Connection	_____ -90	90° Threaded Side Outlet Body (2,3,4,6 [51,76,102,152])
_____ -S	Secondary Strainer		
_____ -SA	Stabilizer Assembly (see Z1036)		

\* Regularly furnished unless otherwise specified.