



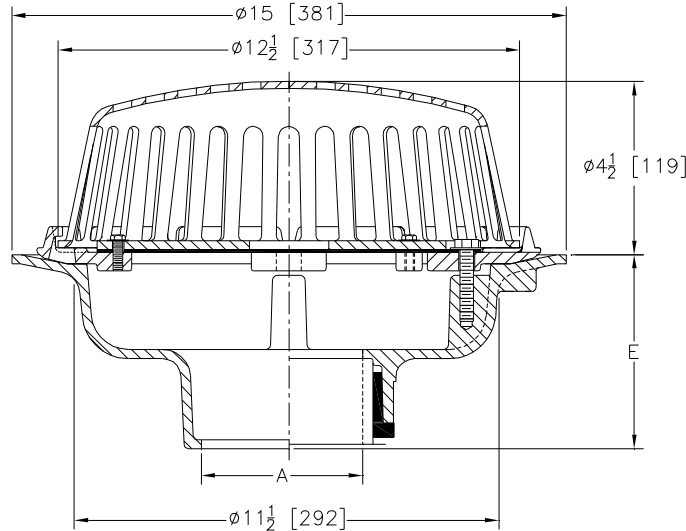
Z100-171

15 [381] DIAMETER MAIN ROOF DRAIN
WITH LOW SILHOUETTE DOME AND
GASKETED FLOW RESTRICTING PLATE

SPECIFICATION SHEET

TAG _____

Dimensional Data (inches and [mm]) are Subject to Manufacturing Tolerances and Change Without Notice



A- Pipe Size In.	Approx. Wt. Lbs. [kg]	Dome Open Area Sq. In. [cm ²]
2-3-4 [51-76-102]	26 [12]	103 [665]
5-6 [127-152]	27 [12]	
8 [203]	28 [13]	

ENGINEERING SPECIFICATION: ZURN Z100-171

15 [381] Diameter roof drain. Dura-Coated cast iron body with combination membrane flashing clamp/gravel guard, gasketed flow restricting plate and low silhouette Poly-Dome.

OPTIONS (Check/specify appropriate options)

PIPE SIZE

- 2 thru 6-8 [51 thru 152-203]
- 2 thru 6-8 [51 thru 152-203]
- 2 thru 6-8 [51 thru 152-203]
- 2-3-4 [51-76-102]

(Specify size/type) **OUTLET**

- _____ IC Inside Caulk
- _____ IP Threaded
- _____ NH No-Hub
- _____ NL Neo-Loc

E BODY HT. DIM.

- 5 1/4 [133]
- 3 3/4 [95]
- 5 1/4 [133]
- 4 5/8 [117]

PREFIXES

- _____ Z D.C.C.I. Body with Poly-Dome*
- _____ ZA D.C.C.I. Body with 6 3/4 [171] High Aluminum Dome
- _____ ZC D.C.C.I. Body with Cast Iron Dome
- _____ ZRB D.C.C.I. Body with Plain Bronze Dome

SUFFIXES

- | | |
|--|---|
| _____ -AC Angular Underdeck Clamp | _____ -R Roof Sump Receiver |
| _____ -AR Acid Resistant Epoxy Coated | _____ -SC Secondary Clamping Collar |
| _____ -BS Bronze Mesh Screen Over Dome | _____ -SS Stainless Steel Mesh Screen Over Dome |
| _____ -C Underdeck Clamp | _____ -TC Neo-Loc Test Cap Gasket |
| _____ -DP Top-Set® Deck Plate
(Replaces both the -C and -R) | _____ -VP Vandal-Proof Secured Top |
| _____ -DR Top-Set® Drain Riser | _____ -XJ Vertical Expansion Joint (See Z190) |
| _____ -DX Dex-o-tex Flange | _____ -84 Stainless Steel Perforated Gravel Guard |
| _____ -E Static Extension 1 [25] thru 4 [102] (Specify Ht.) | _____ -85 Stainless Steel Perforated Extension |
| _____ -EA Adjustable Extension Assembly
1 3/4 [44] thru 3 1/2 [89] | _____ -90 90° Threaded Side Outlet Body
(2 thru 6 [51 or 152]) |
| _____ -EB Top-Set® Adjustable Extension Assembly | |
| _____ -ES Static Extension with Secondary Clamp at Body
(for clamping waterproofing membrane
at roof drain body) | |
| _____ -G Galvanized Cast Iron | |
| _____ -GD Galvanized Cast Iron Dome (ZC Only) | |
| _____ -HD 6 3/4 [171] High Aluminum Dome Strainer
(148 Sq. In. [955 cm ²] Open Area) | |

*REGULARLY FURNISHED UNLESS OTHERWISE SPECIFIED

REV. DATE: 2/23/06 C.N. NO. 94785

DWG. NO. P-15251 PRODUCT NO. Z100-171