



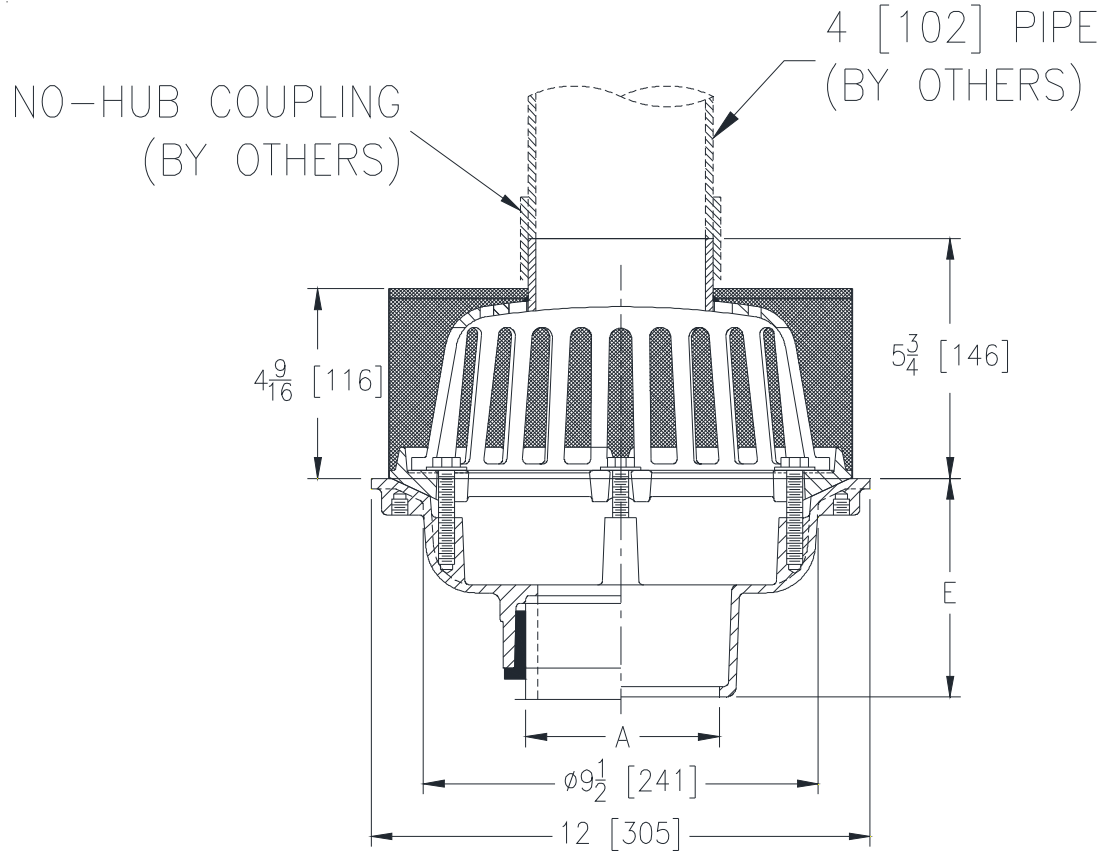
Z121-119

12 [305] DIAMETER MAIN ROOF DRAIN W/NO-HUB
STANDPIPE AND STAINLESS STEEL MESH OVER
DOME

SPECIFICATION SHEET

TAG _____

Dimensional Data (inches and [mm]) are Subject to Manufacturing Tolerances and Change Without Notice



A Pipe Size In. [mm]	Approx. Wt. Lbs. [kg]	Dome Open Area Sq. In. [cm ²]
2,3,4 [51,76,102]	40 [18]	78 [503]
5,6 [127,152]	39 [17]	

ENGINEERING SPECIFICATION: ZURNZ121-119

12" [305mm] Diameter roof drain. Dura-Coated cast iron body with combination membrane flashing clamp/gravel guard and low silhouette cast iron dome with 4" [102mm] no-hub standpipe, and stainless steel mesh over dome.

OPTIONS (Check/specify appropriate options)

PIPE SIZE

- 2,3,4,5,6 [51,76,102,127,152]
- 2,3,4,5,6 [51,76,102,127,152]
- 2,3,4,5,6 [51,76,102,127,152]
- 2,3,4,6 [51,76,102,152]

(Specify size/type) OUTLET

- _____ IC Inside Caulk
- _____ IP Threaded
- _____ NH No-Hub
- _____ NL Neo-Loc

E BODY HT. DIM.

- 5-1/4 [133]
- 3-3/4 [95]
- 5-1/4 [133]
- 4-9/16 [116]

PREFIXES

- _____ Z D.C.C.I. Body and Dome*

SUFFIXES

- | | |
|---|--|
| _____ -AR Acid Resistant Epoxy Coated | _____ -GD Galvanized Cast Iron Dome |
| _____ -C Underdeck Clamp | _____ -R Roof Sump Receiver |
| _____ -DP Top-Set® Deck Plate (Replaces both the -C and -R) | _____ -TC Neo-Loc Test Cap Gasket
(2,3,4 [51,76,102] NL Bottom Outlet Only) |
| _____ -DR Top-Set® Drain Riser | _____ -VP Vandal-Proof Secured Top |
| _____ -EB Top-Set® Adjustable Extension Assembly | _____ -90 90° Threaded Side Outlet Body
(2,3,4,6 [51,76,102,152]) |
| _____ -G Galvanized Cast Iron | |

* Regularly furnished unless otherwise specified.