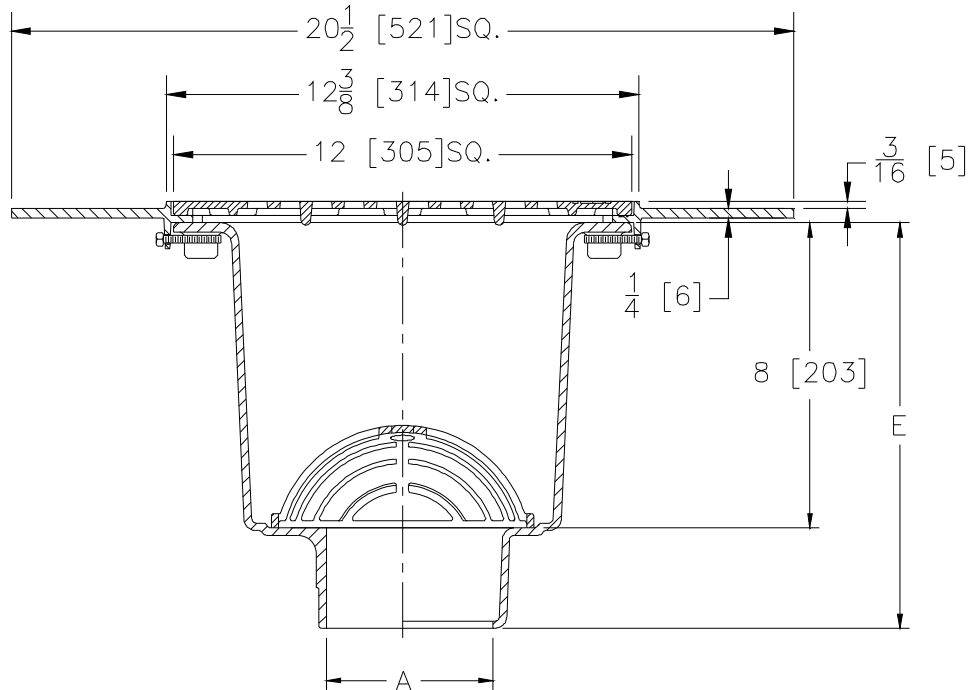




ZN1901-DX

12-3/8 X 12-3/8 [314 X 314] A.R.E. SANI-FLOR RECEPTOR SPECIFICATION SHEET
 8 [203] SUMP DEPTH W/ DEX-O-TEX FLANGE,
 AND N.B. FRAME AND GRATE TAG _____

Dimensional Data (inches and [mm]) are Subject to Manufacturing Tolerances and Change Without Notice



A- Pipe Size In.	Approx Wt. Lbs. [kg]	Grate Open Area Sq. In. [cm ²]
2, 3, 4 [51, 76, 102]	34 [15]	25 [161]

ENGINEERING SPECIFICATION: ZURN ZN1901-DX

Sani-Flor Receptor 12-3/8" x 12-3/8" x 8" [314mm x 314mm x 203mm] deep cast iron body with white acid resisting porcelain enamel interior, black ground enamel exterior coating, nickel bronze frame with dex-o-tex flange, and nickel bronze grate, complete with white ABS anti-splash interior bottom dome strainer.

OPTIONS (Check/specify appropriate options)

PIPE SIZE

3, 4 [76, 102]
 2, 3, 4 [51, 76, 102]
 2, 3, 4 [51, 76, 102]

(Specify size/type) OUTLET

_____ IC Inside Caulk
 _____ NH No-Hub
 _____ NL Neo-Loc

'E' BODY HT. DIMENSION

11-1/8 [283]
 11-1/8 [283]
 10-1/2 [267]

PREFIXES

_____ ZN Cast Iron Body with White A.R.E. Interior, 12-3/8 [315] Square N.B. Frame and Full Grate with 1/2 [13] Square Openings.*

SUFFIXES

_____ -HP	Heel-Proof Grate	_____ -4	Full-Grate w/ Center Opening 3-1/32 [77] Square
_____ -K	Anchor Flange with Seepage Holes	_____ -6	Grate w/ 6 [152] dia. x 6 [152] High Funnel
_____ -KC	Anchor Flange with Seepage Holes and Clamp Collar	_____ -8	Grate w/ 8-7/8 x 3-5/8 x 3-3/4 [225 x 92 x 95] High Oval Funnel
_____ -LD	(Less) Bottom Dome Strainer	_____ -11	Vandal-Proof Secured Grate
_____ -P	1/2 [13] Trap Primer Connection (See Z1023)	_____ -15	Solid Loose Set Cover
_____ -SA	Stabilizer Assembly (See Z1903)	_____ -23	Aluminum Bucket
_____ -TC	Neo-Loc Test Cap Gasket (2, 3, 4 [51, 76, 102] NL Bottom Outlet Only)	_____ -25	White A.R.C. Bucket
_____ -VPS	Vandal-Proof Strainer	_____ -31	Stainless Steel Mesh Liner for Bucket
_____ -1	(Less) Grate	_____ -32	Aluminum Dome Strainer
_____ -2	1/2 Grate	_____ -33	White A.R.C. Anti-Splash Bottom Dome Strainer
_____ -3	3/4 Grate		

* Regularly furnished unless otherwise specified.

Zurn Industries, LLC | Specification Drainage Operation
 1801 Pittsburgh Avenue, Erie, PA U.S.A. 16502 · Ph. 855-663-9876, Fax 814-454-7929
 In Canada | Zurn Industries Limited
 3544 Nashua Drive, Mississauga, Ontario L4V 1L2 · Ph. 905-405-8272, Fax 905-405-1292
www.zurn.com

Rev. D
 Date: 10/12/2017
 C.N. No. 138729
 Prod. | Dwg. No. ZN1901-DX