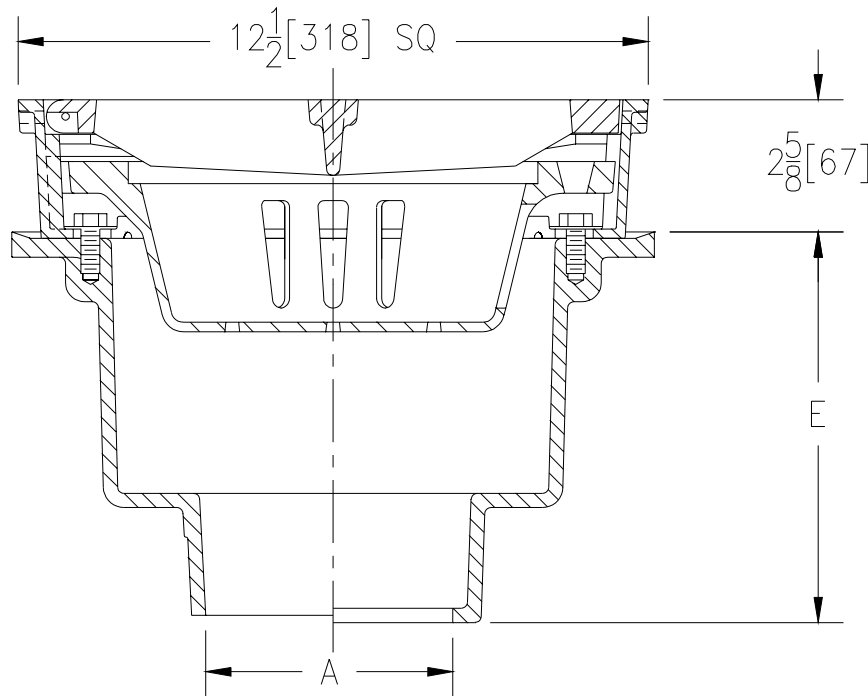




Z-662-79
12 1/2" [318] SQ.
EXTRA HEAVY DUTY DRAIN

TAG _____

Dimensional Data (inches and [mm]) are Subject to Manufacturing Tolerances and Change Without Notice



A- Pipe Size In.	Approx. Wt. Lbs. [kg]	Grate Open Area Sq. In. [cm ²]
3-4 [75-100]	84 [38]	40 [258]
5-6 [125-150]	90 [41]	

ENGINEERING SPECIFICATION: Z-662-79 12 1/2 [318] Square Top drain, Dura-Coated cast iron body with bottom outlet, seepage pan and combination membrane flashing clamp and frame for cast iron hinged extra heavy duty slotted grate with suspended sediment bucket.

OPTIONS (Check/specify appropriate options)

PIPE SIZE

- 3 thru 6 [75 thru 150]
- 3, 4, 6 [75, 100, 150]
- 3 thru 6 [75 thru 150] (IP w/Z-1040-1)
- 3, 4 [75, 100]

(Specify size/type) **OUTLET**

- _____ IC Inside Caulk
- _____ IG Inside Caulk w/Sealtrol Gskt.
- _____ IP Threaded
- _____ NH No-Hub
- _____ NL Neo-Loc

'E' BODY HT. DIM.

- 7 3/4 [197]
- 7 3/4 [197]
- 6 3/8 [162]
- 7 1/8 [181]

PREFIXES

- _____ Z- D.C.C.I. Body and Grate*
- _____ ZB- D.C.C.I Body w/Polished Bronze Top (Add 3/16 [5] to 3 3/8 [86] and 11/16 [17] to 16 [406] Dim.)
- _____ ZN- D.C.C.I Body w/Polished Nickel Bronze Top (Add 3/16 [5] to 3 3/8 [86] and 11/16 [17] to 16 [406] Dim.)

SUFFIXES

- _____ -AR Acid Resistant Epoxy coated Finish
- _____ -DG Duresist Grate
- _____ -G Galvanized Cast Iron
- _____ -HL Hinged Locking Grate
- _____ -SS Stainless Mesh Liner for Bucket
- _____ -TS Top Secured With Slotted Screws
- _____ -V Backwater Valve (See Z-1099)
- _____ -VP Vandal Proof Secured Top
- _____ -YA Aluminum Sediment Bucket
- _____ -90 90° Threaded Side Outlet Body

*REGULARLY FURNISHED UNLESS OTHERWISE SPECIFIED

REV.	DATE: 12/5/96	C.N. NO. 76673
DWG. NO. P-14423		PRODUCT NO. Z-662-79