



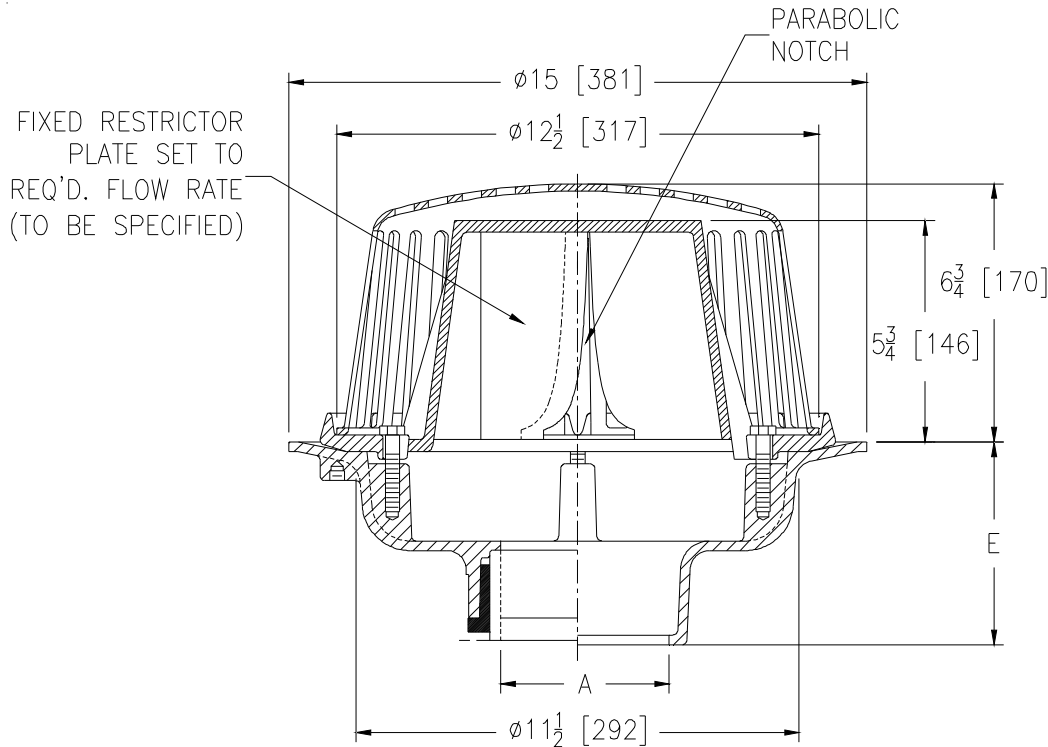
# Z105-88

## CONTROL-FLO ROOF DRAIN W/PARABOLIC WEIR AND FIXED RESTRICTOR PLATE (FOR SLOPED ROOF)

SPECIFICATION SHEET

TAG \_\_\_\_\_

Dimensional Data (inches and [ mm ]) are Subject to Manufacturing Tolerances and Change Without Notice



A- Pipe Size In.	Approx. Wt. Lbs. [kg]	Dome Open Area Sq. In. [cm <sup>2</sup> ]
2-3-4 [51-76-102]	40 [18]	148 [955]

### ENGINEERING SPECIFICATION: ZURN Z105-88

15 [381] Control-Flo roof drain for Sloped Roof construction. Dura-Coated cast iron body, linear functioning Control-Flow weir with fixed restrictor plate (As Req'd.), integral membrane flashing clamp/gravel guard and 6 3/4 [171] high Aluminum dome. All data shall be verified proportional to flow rates. Control-Flo weir available with up to six parabolic notches (As Req'd.).

### OPTIONS (Check/specify appropriate options)

#### PIPE SIZE

2, 3, 4 [51, 76, 102]  
2, 3, 4 [51, 76, 102]  
2, 3, 4 [51, 76, 102]  
2, 3, 4 [51, 76, 102]

#### (Specify size/type) OUTLET

\_\_\_\_\_ IC Inside Caulk  
\_\_\_\_\_ IP Threaded  
\_\_\_\_\_ NH No-Hub  
\_\_\_\_\_ NL Neo-Loc

#### E BODY HT. DIM.

5 1/4 [133]  
3 3/4 [95]  
5 1/4 [133]  
4 5/8 [117]

#### PREFIXES

\_\_\_\_\_ ZA D.C.C.I. Body with 6 3/4 [171] High Aluminum Dome\*  
\_\_\_\_\_ ZC D.C.C.I. Body with 6 3/4 [171] High Cast Iron Dome

#### SUFFIXES

_____ -C Underdeck Clamp	_____ -R Roof Sump Receiver
_____ -DE Deck Extension	_____ -SC Secondary Clamping Collar
_____ -DP Top-Set® Deck Plate	_____ -TC Neo-Loc Test Cap Gasket
_____ -DR Top-Set® Drain Riser	(2-4 [51-102] NL Bottom Outlet Only)
_____ -DX Dex-o-Tex Flange	_____ -VP Vandal Proof Secured Top
_____ -E Static Extension 1 [25] thru 4 [102] (Specify Ht.)	_____ -XJ Vertical Expansion Joint (See Z190)
_____ -EA Adjustable Extension Assembly	_____ -90 90° Threaded Side Outlet Body
2 1/8 [54] thru 3 1/2 [89]	
_____ -G Galvanized Cast Iron	

\*REGULARLY FURNISHED UNLESS OTHERWISE SPECIFIED

REV. DATE: 1/15/10 C.N. NO. 110592

DWG. NO. P-15834 PRODUCT NO. Z105-88

ZURN INDUSTRIES, LLC. ♦ SPECIFICATION DRAINAGE OPERATION ♦ 1801 Pittsburgh Ave. ♦ Erie, PA 16514

Phone: 814/455-0921 ♦ Fax: 814/454-7929 ♦ World Wide Web: www.zurn.com

In Canada: ZURN INDUSTRIES LIMITED ♦ 3544 Nashua Drive ♦ Mississauga, Ontario L4V1L2 ♦ Phone: 905/405-8272 Fax: 905/405-1292