



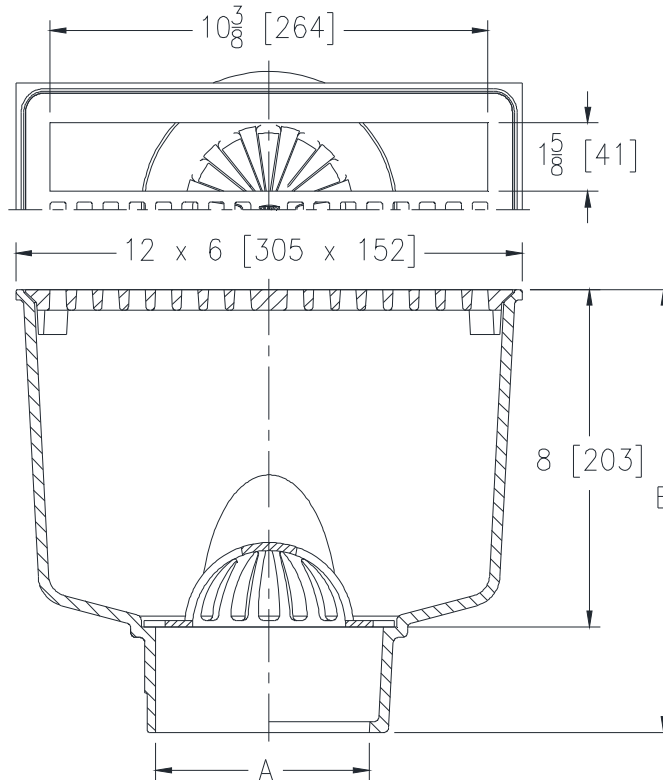
Z1940-80

12 X 6 [305 X 152] A.R.C. SANI-FLOR RECEPTOR
8 [203] SUMP DEPTH W/ CUSTOM 1/2 GRATE

SPECIFICATION SHEET

TAG _____

Dimensional Data (inches and [mm]) are Subject to Manufacturing Tolerances and Change Without Notice



A Pipe Size In. [mm]	Approx Wt. Lbs. [kg]	Grate Open Area Sq. In. [cm ²]
2,3,4 [51,76,102]	33 [15]	26.3 [170]

ENGINEERING SPECIFICATION: ZURN Z1940-80

Sani-Flor Receptor 12" x 6" x 8" [305mm x 152mm x 203mm] deep cast iron body, light-duty square slotted 1/2 grate with longitudinal opening, with white acid resisting epoxy coated interior and top, complete with white ABS anti-splash interior bottom dome strainer.

OPTIONS (Check/specify appropriate options)

PIPE SIZE

2,3,4 [51,76,102]
2,3,4 [51,76,102]
2,3,4 [51,76,102]

OUTLET (Specify size/type)

___ IC Inside Caulk
___ NH No-Hub
___ NL Neo-Loc

'E' BODY HT. DIMENSION

Z	ZN
10-1/2 [267]	10-7/8 [276]
10-1/2 [267]	10-7/8 [276]
10 [254]	10-3/8 [264]

PREFIXES

___ Z Cast Iron Body with White A.R.C. Interior*
___ ZN Cast Iron Body with White A.R.C. Interior, 13 x 7 [330 x 178] N.B. Frame and 1/2 Grate w/ 3/8 [10] Square Openings+

+Add 1 [25] to 12 [305] and 6 [152] Dimensions

SUFFIXES

___ -K Anchor Flange	___ -23 Aluminum Bucket
___ -KC Anchor Flange with Seepage Holes and Clamp Collar	___ -25 White A.R.C. Bucket
___ -LD (Less) Bottom Dome Strainer	___ -31 Stainless Steel Mesh Liner for Bucket
___ -P 1/2 [13] Trap Primer Connection	___ -32 Aluminum Dome Strainer
___ -S Secondary Strainer	___ -33 White A.R.C. Anti-Splash Bottom Dome Strainer
___ -TC Neo-Loc Test Cap Gasket (2,3,4 [51,76,102] NL Bottom Outlet Only)	

* Regularly furnished unless otherwise specified.