



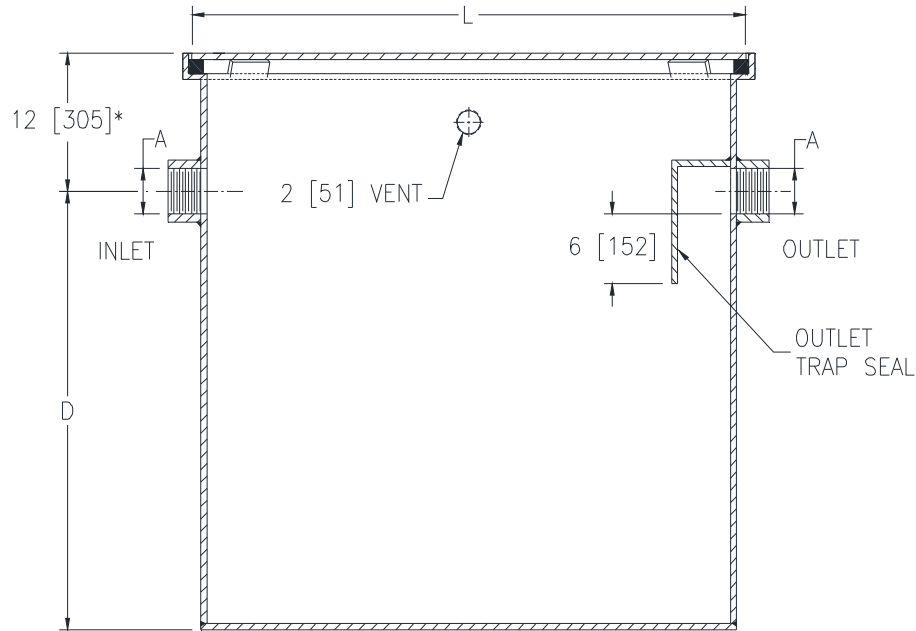
Z1187-SI-151

SAND INTERCEPTOR WITH SOLID COVER & VENT

SPECIFICATION SHEET

TAG _____

Dimensional Data (inches and [mm]) are Subject to Manufacturing Tolerances and Change Without Notice



*12 [305] REGULARLY FURNISHED—
SPECIFY DIMENSION IF HIGHER
OR LOWER IS REQUIRED

Size	Flow G.P.M. [L] (Max.)	A Pipe Size	L	D	Capacity Gal. [L] (Static)	Width	Approx. Wt. Lbs. [Kg]
20	20 [76]	4 [102]	24 [610]	26 [660]	60 [227]	24 [610]	133 [60]
50	50 [189]	4 [102]	48 [1219]	26 [660]	120 [454]	24 [610]	204 [92]
150	150 [568]	4 [102]	48 [1219]	38 [965]	360 [1363]	48 [1219]	368 [167]
250	250 [946]	6 [152]	72 [1829]	39 [991]	540 [2044]	48 [1219]	1294 [587]
500	500 [1893]	6 [152]	120 [3058]	51 [1295]	1200 [4542]	48 [1219]	2204 [1000]

ENGINEERING SPECIFICATION: ZURN Z1187-SI-151

Acid Resistant Coated interior and exterior fabricated steel sand interceptor with 2" [51mm] vent, threaded inlet and outlet, complete with secured, gasketed, non-skid cover.

OPTIONS (Check/specify appropriate options)

PREFIXES

___ Z Acid Resistant Coated Fabricated Steel*

SUFFIXES

- ___ -E Integral Extension Assembly (Specify Extension Height)
- ___ -DG Duresist Grate
- ___ -K Anchor Flange 1-3/4 [44] down from top and 2 [51] wide. No extension required to accommodate -K option
- ___ -KC Anchor Flange 1-3/4 [44] down from top and 2 [51] wide with clamp collar. No extension required to accommodate -KC option
- ___ -NH No-Hub Inlet and Outlet (Z1040)
- ___ -SC Heavy-Duty Reinforced Cover(s) rated at 10,000 lbs [4536 Kg.] maximum safe live load.
- ___ -VP Vandal-Proof Screws

* Regularly furnished unless otherwise specified.