



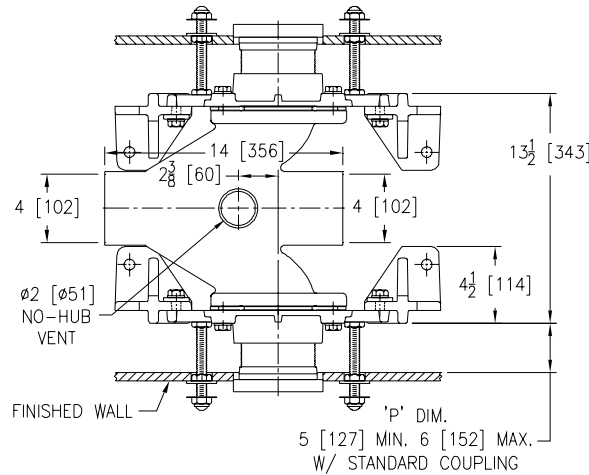
Z1203-ND4-XH

EXTRA HEAVY-DUTY 750 LB [340 kg] ADJUSTABLE, HORIZONTAL, BACK TO BACK SIPHON JET NO-HUB

SPECIFICATION SHEET

TAG _____

Dimensional Data (inches and [mm]) are Subject to Manufacturing Tolerances and Change Without Notice

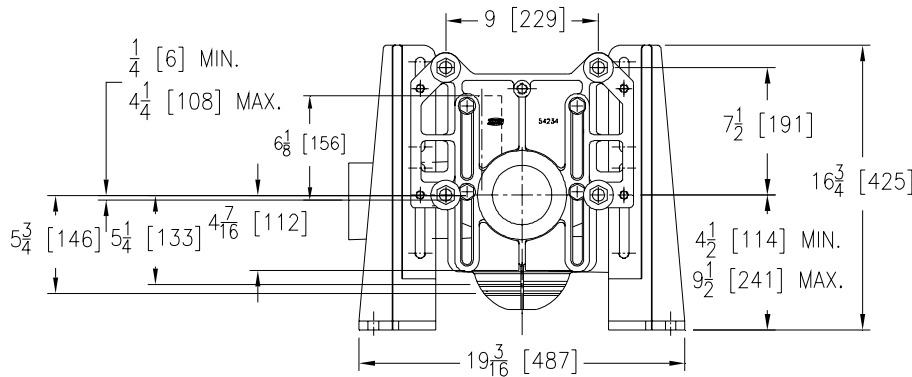


Product Number	Approx. Wt. Lbs. [kg]
Z1203-ND4-XH	158 [71]

PATENT PENDING

Note:

1. Min. 'P' Dim. Obtainable=2 [51]
2. Feet bolted to floor using min. 1/2 [13] dia. bolts.



ENGINEERING SPECIFICATION: ZURN Z1203-ND4-XH

Extra Heavy-Duty Adjustable, horizontal siphon jet water closet "Rigid System" with 4 [102] No-Hub connections, rated for a 750 Lb. [340 kg] maximum static load. Complete with Dura-Coated cast iron right hand or left hand main fitting, with 2 [51] vent, adjustable gasketed faceplates, floor mounted foot supports, corrosion resistant adjustable ABS couplings with integral test cap, fixture bolts, trim, stud protectors, and bonded "Neo-Seal" gasket. Carrier complies with all applicable requirements of ASME A112.6.1M up to a 750 Lb. [340-kg.] load.

OPTIONS (Check/specify appropriate options)

___ Z1203-ND4-XH 4 [102] No-Hub Back to Back Inlet (Double)

PREFIXES

___ Z D.C.C.I. System with Zurn "ZZ" Adjustable Coupling*
 ___ ZQ D.C.C.I. System with NPT Faceplate and Non-Adjustable Coupling

SUFFIXES

___ -CC	Corrosion Resistant Cast Iron Coupling (6 [152])	___ -50	Flush Valve Supply Support for Water Closets
___ -CV	Closed Vent (Use only when local codes allow)	___ -61	"ZZ" Coupling Wrench
___ -G	Galvanized Cast Iron		
___ -T	Threaded Connection		
___ -VP	Vandal-Proof Trim		
___ -29	Mechanical Test Cap Assembly		
___ -45	Finishing Frame for Siphon Jet System		

*REGULARLY FURNISHED UNLESS OTHERWISE SPECIFIED

REV. A DATE: 02/24/11 C.N. NO. 120936

DWG. NO. 82888 PRODUCT NO. Z1203-ND4-XH

ZURN INDUSTRIES, LLC. ♦ SPECIFICATION DRAINAGE OPERATION ♦ 1801 Pittsburgh Ave. ♦ Erie, PA 16514

Phone: 814/455-0921 ♦ Fax: 814/454-7929 ♦ World Wide Web: www.zurn.com

In Canada: ZURN INDUSTRIES LIMITED ♦ 3544 Nashua Drive ♦ Mississauga, Ontario L4V1L2 ♦ Phone: 905/405-8272 Fax: 905/405-1292