



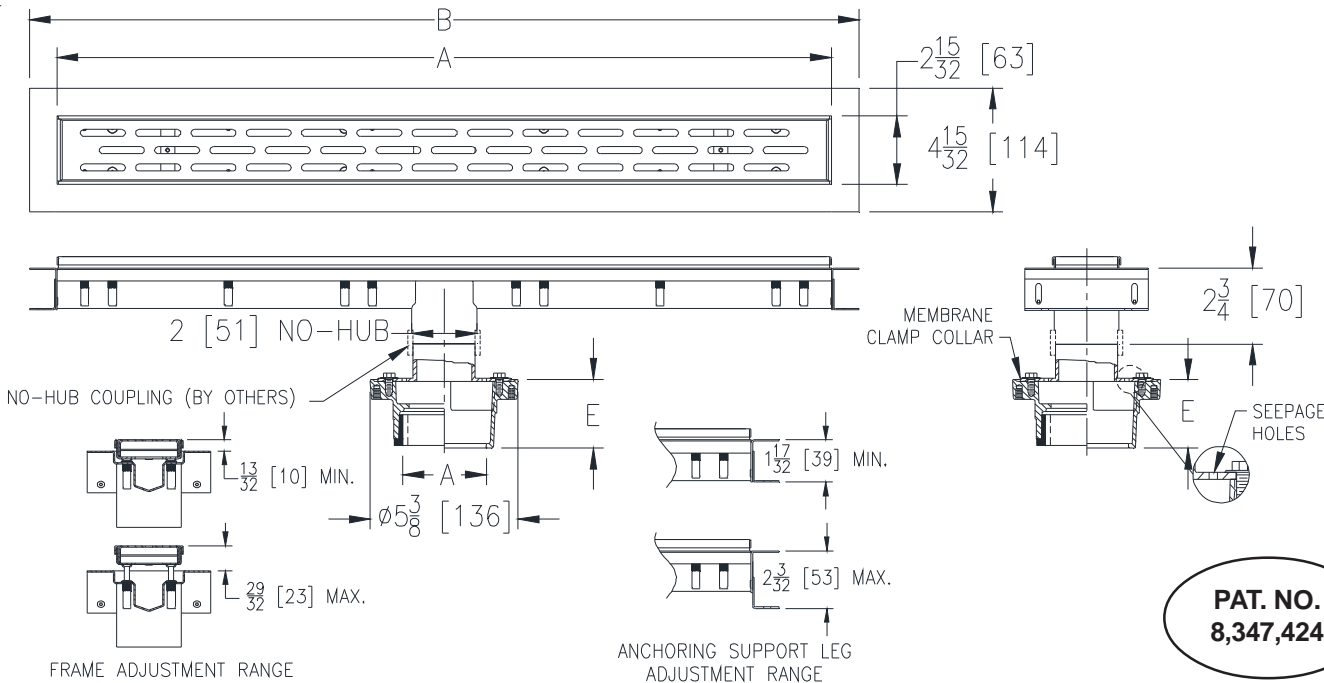
ZS880-91

STAINLESS STEEL LINEAR SHOWER DRAIN W/ LOWER DRAIN ASSEMBLY

SPECIFICATION SHEET

TAG _____

Dimensional data (inches and [mm]) are subject to manufacturing tolerances and change without notice.



Product Designation	Dimensions In Inches [mm]		Approx. Wt. Lbs. [kg]	Grate Open Area Sq. In. [cm ²]
	A	B		
-12	12 [305]	14 [356]	2.9 [1.3]	6 [38]
-28	28 [711]	30 [762]	5.4 [2.5]	15 [97]
-32	32 [813]	34 [864]	5.9 [2.7]	18 [116]
-36	36 [914]	38 [965]	6.4 [2.9]	20 [129]
-40	40 [1016]	42 [1069]	7.2 [3.3]	22 [142]
-48	48 [1219]	50 [1270]	8.4 [3.8]	27 [174]
-60	60 [1524]	62 [1575]	10.3 [4.7]	34 [219]
-72	72 [1829]	74 [1880]	12.4 [5.6]	41 [265]

ENGINEERING SPECIFICATION: ZS880-91

All Type 304 (CF8) Fabricated Stainless Steel Linear Shower Drain. Complete with vertically adjustable anchoring support legs, anti-ponding V-shaped channel with 2" [51mm] No-Hub center outlet, adjustable secured leveling frame with built-in tile edge, integral membrane flange for glue on waterproofing membrane, and secured, light-duty, slotted heel-proof grate. Drain is designed for installation in a minimum 2" [51mm] concrete pour and can be adjusted to accommodate 1/4" [6mm] and 3/8" [10mm] finished tile thicknesses. Z415 lower body assembly is Dura-Coated Cast Iron with clamp collar and weep holes.

OPTIONS (Check/specify appropriate options)

PIPE SIZE (Lower Body)

- 2,3,4 [51,76,102]
- 2,3,4 [51,76,102]
- 2 [51]
- 3 [76]
- 4 [102]
- 2,3,4 [51,76,102]
- 2,3,4 [51,76,102]

(Specify size/type) OUTLET

- ___ IC Inside Caulk
- ___ IG Inside Gasket
- ___ IP Threaded
- ___ IP Threaded
- ___ IP Threaded
- ___ NH No-Hub
- ___ NL Neo-Loc

'E' BODY HT. DIM.

- 3-7/8" [98mm]
- 3-7/8" [98mm]
- 2-3/8" [60mm]
- 2-5/8" [67mm]
- 2-7/8" [73mm]
- 3-7/8" [98mm]
- 3-3/4" [95mm]

PREFIXES

- ___ ZS All Type 304 (CF8) Stainless Steel*
- ___ ZR All Type 304 (CF8) Stainless Steel w/ Oil-Rubber Bronze Finish

SUFFIXES

- ___ -2 Two Bottom Outlets (2 [51] No-Hub, Not Available on Size -12)
- ___ -2IP 2 [51] Female IP Threaded Outlet
- ___ -3 Three Bottom Outlets (2 [51] No-Hub, Not Available on Size -12)
- ___ -EO End Bottom Outlet (2 [51] No-Hub, Not Available on Size -12)
- ___ -FS Outlet Filter Screen

GRATE OPTIONS

- ___ -BW Basket Weave Grate
- ___ -DB Decorative Block Grate
- ___ -SG Serenity Grate
- ___ -TG Tile In-Lay Grate
- ___ -WG Wave Grate

* Regularly furnished unless otherwise specified