



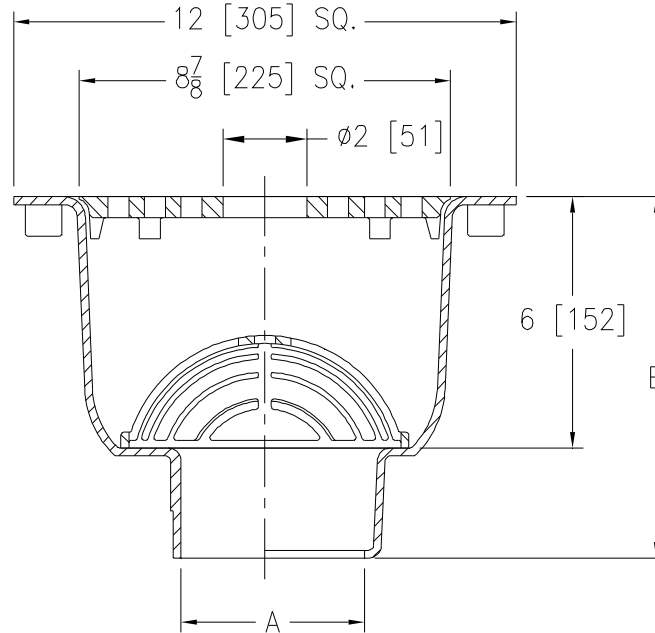
# Z1900-4

12 x 12 [305 x 305] A.R.E. SANI-FLOR RECEPTOR 6 [152]  
SUMP DEPTH W/ CENTER OPENING IN GRATE

SPECIFICATION SHEET

TAG \_\_\_\_\_

Dimensional Data (inches and [ mm ]) are Subject to Manufacturing Tolerances and Change Without Notice



A Pipe Size In. [mm]	Approx Wt. Lbs. [kg]	Grate Open Area Sq. In. [cm <sup>2</sup> ]
2,3,4 [51,76,102]	32 [15]	32 [206]

### ENGINEERING SPECIFICATION: ZURN Z1900-4

Sani-Flor Receptor 12" x 12" x 6" [305mm x 305mm x 152mm] deep cast iron body and full grate w/ 2" [51mm] round center opening, with white acid resisting porcelain enamel interior and top, black ground enamel exterior coating, and white ABS anti-splash interior bottom dome strainer.

### OPTIONS (Check/specify appropriate options)

#### PIPE SIZE

3,4 [76,102]  
2,3,4 [51,76,102]  
2,3,4 [51,76,102]

#### (Specify size/type) OUTLET

\_\_\_ IC Inside Caulk  
\_\_\_ NH No-Hub  
\_\_\_ NL Neo-Loc

#### 'E' BODY HT. DIMENSION

Z	ZN / ZS
8-5/8 [219]	9-1/8 [232]
8-5/8 [219]	9-1/8 [232]
8 [203]	8-1/2 [216]

#### PREFIXES

\_\_\_ Z Cast Iron Body with White A.R.E. Interior\*  
\_\_\_ ZN Cast Iron Body with White A.R.E. Interior, 12-1/2 [317] Square Nickel Bronze Frame and Full Grate with 3-1/32 [77] Square Center Opening  
\_\_\_ ZS Cast Iron Body with White A.R.E. Interior, 12-1/2 [317] Square Stainless Steel Frame and Full Grate with 3-1/32 [77] Square Center Opening

#### SUFFIXES

___ -DX Dex-O-Tex Flange (ZN Only)	___ -TC Neo-Loc Test Cap Gasket (2,3,4 [51,76,102] NL Bottom Outlet Only)
___ -HD Stainless Steel Frame w/ Extra Heavy-Duty Stainless Steel Grate (ZS Only)	___ -VPS Vandal-Proof Strainer
___ -HP Heel-Proof Grate (ZN Only)	___ -11 Vandal-Proof Secured Top (ZN & ZS Only)
___ -K Anchor Flange with Seepage Holes	___ -23 Aluminum Bucket
___ -KC Anchor Flange with Seepage Holes and Clamp Collar	___ -25 White A.R.C. Bucket
___ -LD (Less) Bottom Dome Strainer	___ -31 Stainless Steel Mesh Liner for Bucket
___ -P 1/2 [13] Trap Primer Connection (See Z1023)	___ -32 Aluminum Dome Strainer
___ -SA Stabilizer Assembly (See Z1903)	___ -33 White A.R.C. Anti-Splash Bottom Dome Strainer

\* Regularly furnished unless otherwise specified.