



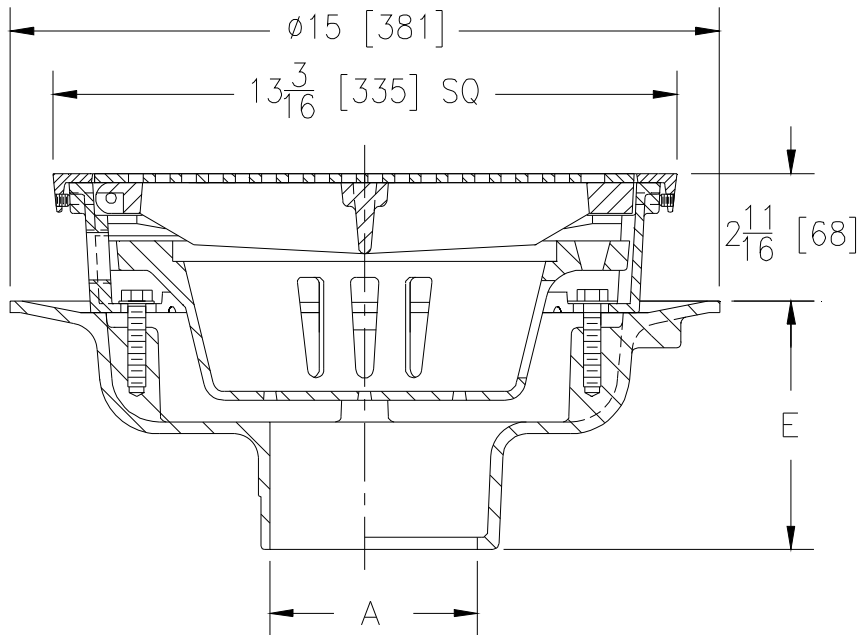
Z610-86

13-3/16 [355] SQUARE TOP HEAVY-DUTY DRAIN WITH HEEL PROOF GRATE

SPECIFICATION SHEET

TAG _____

Dimensional Data (inches and [mm]) are Subject to Manufacturing Tolerances and Change Without Notice



A Pipe Size In.	Approx. Wt. Lbs. [kg]	Grate Open Area Sq. In. [cm ²]
2-3-4-5-6 [51-76-102-127-152]	54 [24]	21 [135]
8-10 [203-250]	56 [25]	

ENGINEERING SPECIFICATION: ZURN Z610-86

13-3/16 [355] Square top drain, Dura-Coated cast iron body with bottom outlet, seepage pan and combination membrane flashing clamp and frame for heavy duty cast iron hinged slotted grate, veneer frame, heel-proof veneer grate, and suspended sediment bucket.

OPTIONS (Check/specify appropriate options)

PIPE SIZE

- 2 thru 6, 8, 10 [51 thru 152, 203, 250]
- 2 thru 4, 6 [51 thru 102, 152]
- 2 thru 6, 8, 10 [51 thru 152, 203, 250]
- 2 thru 6, 8, 10 [51 thru 152, 203, 250]
- 2 thru 4 [51 thru 102]
- 5,6 [127,152]

(Specify size/type) OUTLET

- _____ IC Inside Caulk
- _____ IG Inside Caulk w/Sealtrol Gskt.
- _____ IP Threaded
- _____ NH No-Hub
- _____ NL Neo-Loc
- _____ NL Neo-Loc

'E' BODY HT. DIM.

- 5-1/4 [133]
- 5-1/4 [133]
- 3-3/4 [95]
- 5-1/4 [133]
- 4-5/8 [117]
- 5-1/2 [140]

PREFIXES

- _____ ZN D.C.C.I Body w/ Polished Nickel Bronze Top*
- _____ ZS D.C.C.I Body w/ Stainless Steel Top

SUFFIXES

- _____ -AR Acid Resisting Epoxy Coated Cast Iron
- _____ -DX Dex-O-tex Flange
- _____ -G Galvanized Cast Iron
- _____ -LY (Less) Bucket
- _____ -P Trap Primer Connection
- _____ -S Secondary Strainer
- _____ -TS Top Secured with Slotted Screws
- _____ -V Backwater Valve (See Z-1099)
- _____ -VP Vandal Proof Secured Top
- _____ -YA Aluminum Sediment Bucket
- _____ -90 90° Threaded Side Outlet Body

*REGULARLY FURNISHED UNLESS OTHERWISE SPECIFIED

REV. C	DATE: 7/22/10	C.N. NO. 111423
DWG. NO. P-14241		PRODUCT NO. Z610-86