



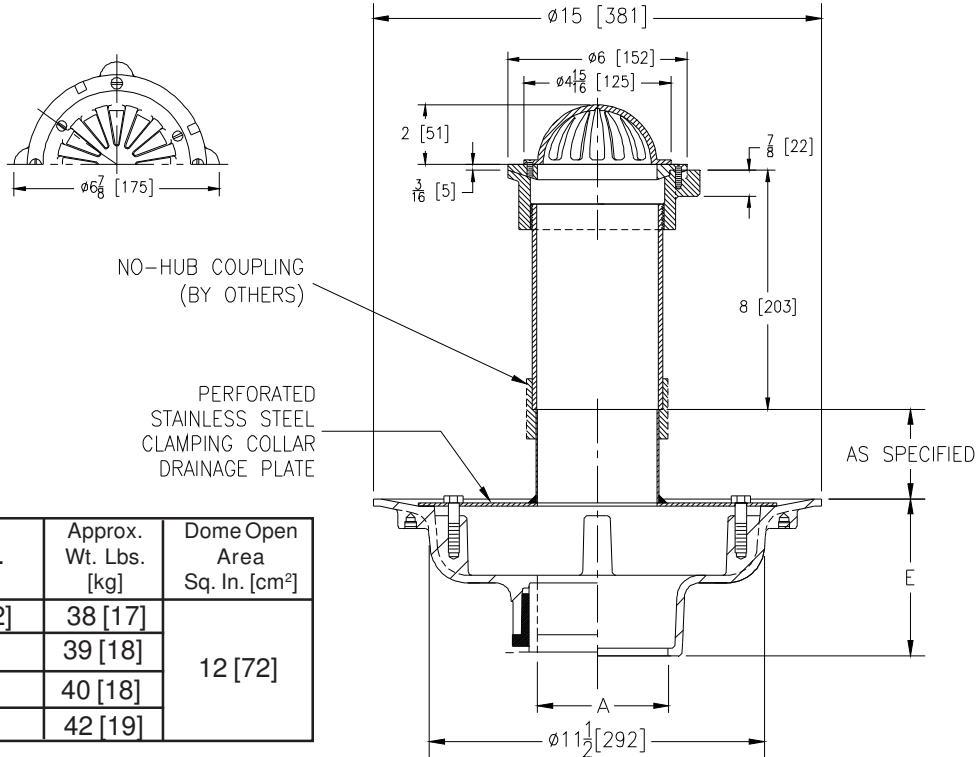
Z100-263

SPECIFICATION SHEET

15 [381] DIAMETER MAIN ROOF DRAIN AND STAINLESS STEEL PERFORATED PLATE AND 4 [102] NO-HUB ADAPTER W/ 6 [152] CORNICE DRAIN

TAG _____

Dimensional Data (inches and [mm]) are Subject to Manufacturing Tolerances and Change Without Notice



A- Pipe Size In.	Approx. Wt. Lbs. [kg]	Dome Open Area Sq. In. [cm ²]
2-3-4 [51-76-102]	38 [17]	12 [72]
5-6 [127-152]	39 [18]	
8 [203]	40 [18]	
10 [254]	42 [19]	

ENGINEERING SPECIFICATION: ZURN Z100-263

15 [381] Diameter roof drain. Dura-Coated cast iron body with stainless steel perforated plate with 4 [102] No-Hub adapter. 6 [152] Diameter by 2 [51] High Cornice drain, Dura-Coated cast iron body, plain bronze dome, membrane flashing clamp, and No-Hub adaptor.

OPTIONS (Check/specify appropriate options)

PIPE SIZE

- 2 thru 6, 8 [51 thru 152, 203]
- 2 thru 6, 8 [51 thru 152, 203]
- 2 thru 6, 8, 10 [51 thru 152, 203, 254]
- 2, 3, 4 [51, 76, 102]

(Specify size/type) OUTLET

- _____ IC Inside Caulk
- _____ IP Threaded
- _____ NH No-Hub
- _____ NL Neo-Loc

E BODY HT. DIM.

- 5 1/4 [133]
- 3 3/4 [95]
- 5 1/4 [133]
- 4 5/8 [117]

PREFIXES

- _____ ZRB D.C.C.I. Body with Plain Bronze Dome*
- _____ ZB D.C.C.I. Body with Polished Bronze Dome
- _____ ZN D.C.C.I. Body with Polished Nickel Bronze Dome

SUFFIXES

- _____ -AC Angular Underdeck Clamp
- _____ -BS Bronze Mesh Screen Over Dome
- _____ -C Underdeck Clamp
- _____ -DP Top-Set® Deck Plate (Replaces both the -C and -R)
- _____ -DR Top-Set® Drain Riser
- _____ -DX Dex-o-tex Flange
- _____ -FS Flat Strainer (ZB or ZN)
- _____ -HD 5-3/4 [146] High Dome
- _____ -R Roof Sump Receiver
- _____ -SS Stainless Steel Mesh Screen Over Dome
- _____ -TC Neo-Loc Test Cap Gasket (2 - 4 [51 - 102] NL Bottom Outlet Only)
- _____ -VP Vandal-Proof Secured Top
- _____ -XJ Vertical Expansion Joint (See Z190)
- _____ -90 90° Threaded Side Outlet Body (2 thru 6 [51 or 152] Bottom Outlet Only)

*REGULARLY FURNISHED UNLESS OTHERWISE SPECIFIED

REV.	DATE: 04/09/13	C.N. NO. 129106
PROD./DWG. NO. Z100-263		

ZURN INDUSTRIES, LLC. ♦ SPECIFICATION DRAINAGE OPERATION ♦ 1801 Pittsburgh Ave. ♦ Erie, PA 16514

Phone: 814/455-0921 ♦ Fax: 814/454-7929 ♦ World Wide Web: www.zurn.com

In Canada: ZURN INDUSTRIES LIMITED ♦ 3544 Nashua Drive ♦ Mississauga, Ontario L4V1L2 ♦ Phone: 905/405-8272 Fax: 905/405-1292