



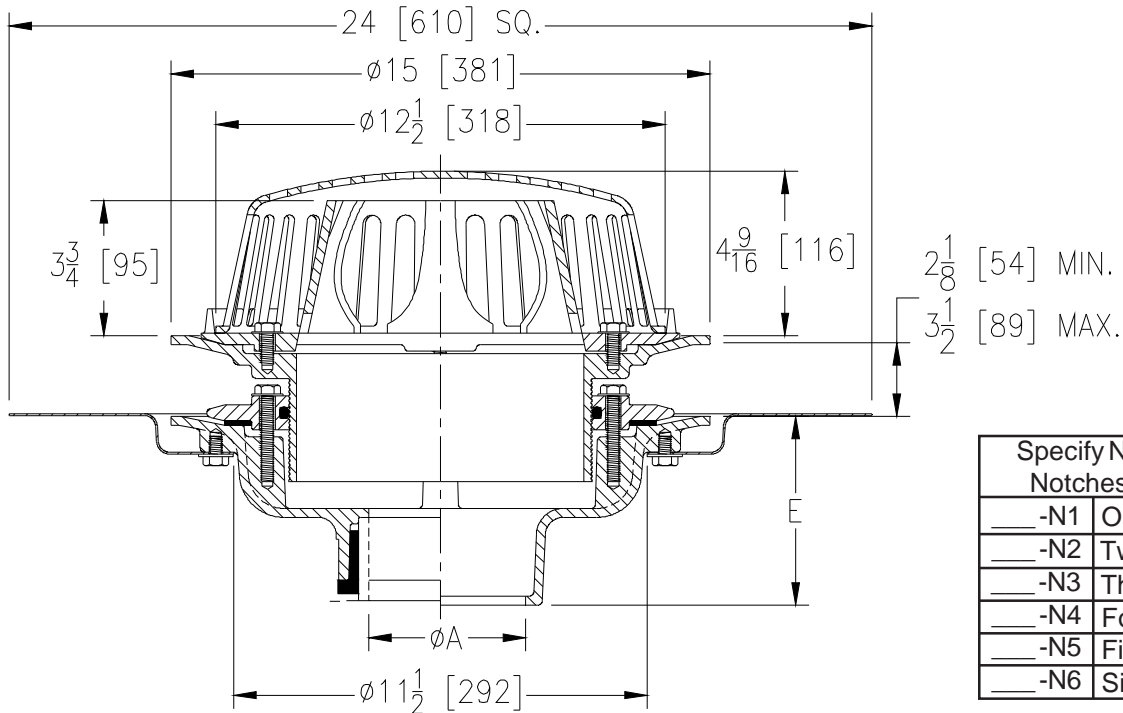
Z105-DP-EA

CONTROL-FLO ROOF DRAIN W/ TOP-SET® ROOF DECK PLATE,
PARABOLIC WEIR AND ADJUSTABLE EXTENSION

SPECIFICATION SHEET

TAG _____

Dimensional Data (inches and [mm]) are Subject to Manufacturing Tolerances and Change Without Notice



Specify Number of Notches in Weir	
___-N1	One Notch
___-N2	Two Notches
___-N3	Three Notches
___-N4	Four Notches
___-N5	Five Notches
___-N6	Six Notches

A Pipe Size In. [mm]	Approx. Wt. Lbs. [kg]	Dome Open Area Sq. In. [cm ²]
2,3,4 [51,76,102]	66 [30]	103 [665]

ENGINEERING SPECIFICATION: ZURN Z105-DP-EA

15" [381mm] Diameter Control-Flo roof drain for dead-level roof construction with Dura-Coated cast iron body, Control-Flo weir shall be linear functioning with integral membrane flashing clamp/gravel guard, Top-Set® roof deck plate, adjustable extension assembly and Poly-Dome. All data shall be verified proportional to flow rates. Each notch will allow 10 GPM of flow per inch of rain water build up above drain.

OPTIONS (Check/specify appropriate options)

PIPE SIZE

- 3, 4 [76,102]
- 2, 3, 4 [51,76,102]
- 2, 3, 4 [51,76,102]

(Specify size/type) OUTLET

- ___ IC Inside Caulk
- ___ NH No-Hub
- ___ NL Neo-Loc

E BODY HT. DIM.

- 5-1/4 [133]
- 5-1/4 [133]
- 4-9/16 [116]

PREFIXES

- ___ Z D.C.C.I. Body with Poly-Dome*
- ___ ZA D.C.C.I. Body with Aluminum Dome
- ___ ZC D.C.C.I. Body with Cast Iron Dome

SUFFIXES

- ___ -E Static Extension 1 [25] thru 4 [102] (Specify Ht.)
- ___ -G Galvanized Cast Iron
- ___ -TC Neo-Loc Test Cap Gasket
(2,3,4 [51,76,102] NL Bottom Outlet Only)
- ___ -VP Vandal Proof Secured Top
- ___ -10 6 [152] High Parabolic Weir for Sloped Roof
(Z or ZA)

* Regularly furnished unless otherwise specified.