

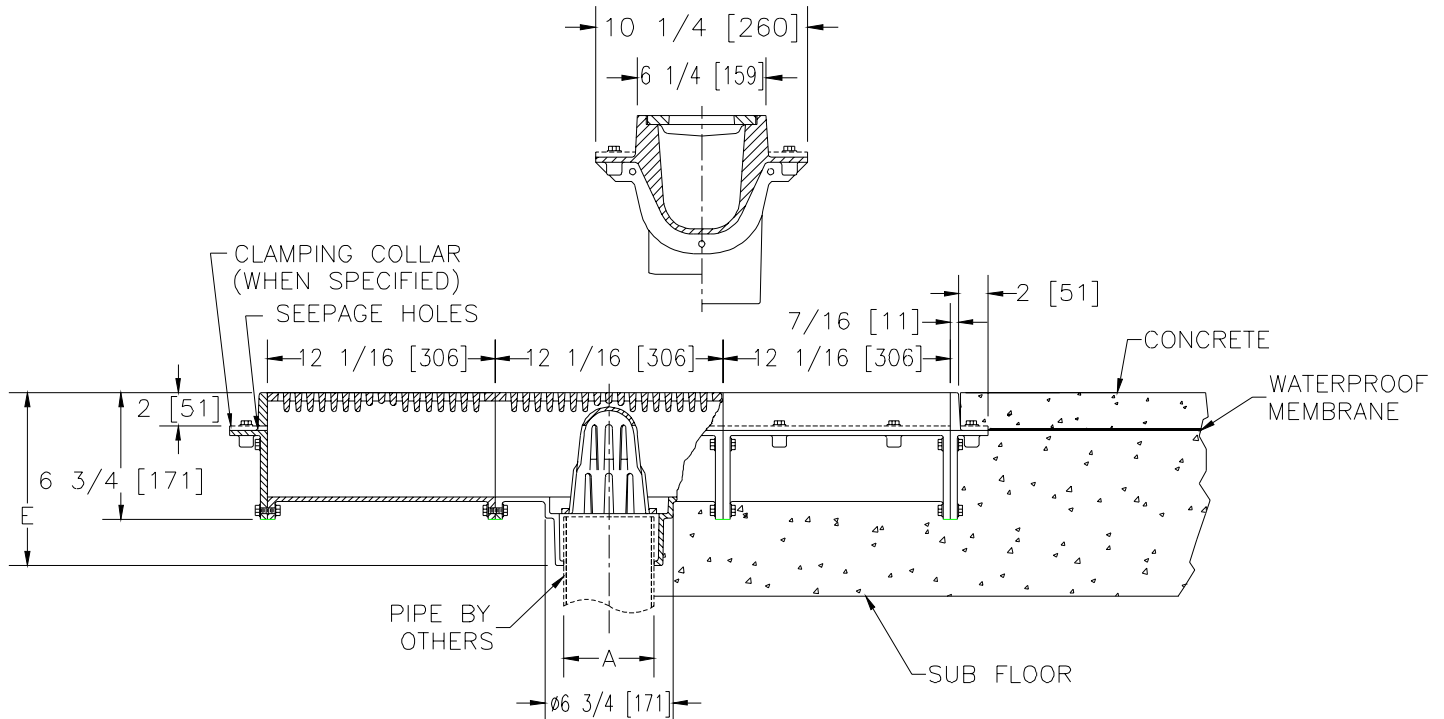


Z-664-85

6" [152] WIDE MODULAR TRENCH DRAIN EXTRA HEAVY DUTY

TAG _____

Dimensional Data (inches and [mm]) are Subject to Manufacturing Tolerances and Change Without Notice



A- Pipe Size In.	Approx. Wt. Lbs. [kg]	Grate Open Area Sq. In. [cm ²]
2-3-4 [50-75-100]	35 [16]	15 [97]

ENGINEERING SPECIFICATION: ZURN Z-664-85 6 [152] Wide Top modular trench drain. Dura-Coated cast iron drain section with bottom outlet and secondary dome strainer. Both 12 [305] long drain module and 12 [305] long extension module are complete with integral seepage pan and loose extra heavy duty slotted heelproof grate.

OPTIONS (Check/specify appropriate options)

PIPE SIZE

- 2 thru 4 [50 thru 150]
- 2 thru 4 [50 thru 150]
- 2 thru 4 [50 thru 150]
- 2 thru 4 [50 thru 150]
- 2 thru 4 [50 thru 150]

(Specify size/type) **OUTLET**

- _____ IC Inside Caulk
- _____ IG Inside Caulk w/Sealtrol Gskt.
- _____ IP Threaded
- _____ NH No-Hub
- _____ NL Neo-Loc

'E' BODY HT. DIM.

- 9 1/8 [232]
- 9 1/8 [232]
- 7 5/8 [194]
- 8 3/8 [213]

PREFIXES

- _____ Z- D.C.C.I. Body and Grate*
- _____ ZB- D.C.C.I Body w/Polished Bronze Top (Add 1/8 [3] to 'E' and 2 [51] Dim.)
- _____ ZN- D.C.C.I Body w/Polished Nickel Bronze Top (Add 1/8 [3] to 'E' and 2 [51] Dim.)

SUFFIXES

- _____ -AR Acid Resisting Epoxy Coated Cast Iron
- _____ -C Clamp Collar or Underdeck Clamp
- _____ -DG Duresist Grate
- _____ -ES Extension Section (See Z-664, Z-665)
- _____ -G Galvanized Cast Iron
- _____ -M Side Outlet Adapter Via End Plate
- _____ -TS Top Secured With Slotted Screws
- _____ -V Backwater Valve
- _____ -VP Vandal Proof Secured Top
- _____ -Y Sediment Bucket

*REGULARLY FURNISHED UNLESS OTHERWISE SPECIFIED

REV.	DATE: 11/21/97	C.N. NO. 79273
DWG. NO. P-14575		PRODUCT NO. Z-664-85