



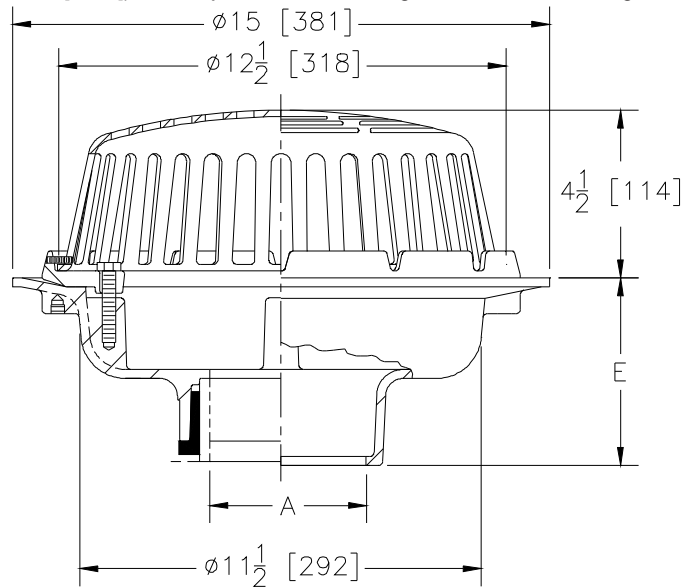
Z100-VP

15 [381] DIAMETER MAIN ROOF DRAIN
W/ VANDAL PROOF SECURED TOP

SPECIFICATION SHEET

TAG _____

Dimensional Data (inches and [mm]) are Subject to Manufacturing Tolerances and Change Without Notice



A Pipe Size in [mm]	Approx Wt. lbs [kg]	Dome Open Area in ² [cm ²]
2,3,4 [51,76,102]	44 [20]	103 [665]
6 [152]	45 [20]	
8 [203]	51 [23]	

ENGINEERING SPECIFICATION: ZURN Z-100-VP

15" [381mm] Diameter roof drain. Dura-Coated cast iron body with combination membrane flashing clamp/gravel guard with vandal proof secured top and low silhouette Poly-Dome strainer.

OPTIONS (Check/specify appropriate options)

PIPE SIZE

- 3,4,6 [76,102,152]
- 2,3,4,6, 8 [51,76,102,152,203]
- 2,3,4,6, 8 [51,76,102,152,203]
- 2,3,4 [51,76,102]
- 6 [152]

(Specify size/type) OUTLET

- IC Inside Caulk
- IP Threaded
- NH No-Hub
- NL Neo-Loc
- NL Neo-Loc

E BODY HT. DIM.

- 5-1/4 [133]
- 3-3/4 [95]
- 5-1/4 [133]
- 4-5/8 [117]
- 5-7/16 [138]

PREFIXES

- Z D.C.C.I. Body with Poly-Dome*
- ZA D.C.C.I. Body with Aluminum Dome

- ZC D.C.C.I. Body with Cast Iron Dome
- ZRB D.C.C.I. Body with Plain Bronze Dome

SUFFIXES

- AC Angular Underdeck Clamp
- AR Acid Resistant Epoxy Coated
- AW 3/4 [19] to 4 [102] Adjustable Water Level Regulator (Specify Height) (ZC Only)
- C Underdeck Clamp
- DE Deck Extension (Includes Deck Plate -DP)
- DP Top-Set® Roof Deck Plate (Replaces both -C and -R)
- DR Top-Set® Drain Riser
- E Static Extension 1 [25] thru 4 [102] (Specify Ht.)
- EA Adjustable Extension Assembly 2-1/8 [54] thru 3-1/2 [89]
- EB Top-Set Adjustable Extension Assembly
- FG Flush Grate (Replaces Dome Strainer)
- G Galvanized Cast Iron
- HD 6-3/4 [171] High Aluminum Dome (148 sq. in. [955 cm²] open area)
- R Roof Sump Receiver
- SC Secondary Clamping Collar
- SS Stainless Mesh Screen Over Dome
- ST Dome w/ Solid Top (ZA and ZC Only)
- TC Neo-Loc Test Cap Gasket (2,3,4 [51,76,102] NL Bottom Outlet Only)
- W2 2 [51] Internal Water Dam
- W3 3 [76] Internal Water Dam
- W4 4 [102] Internal Water Dam
- 84 Stainless Steel Perforated Gravel Guard
- 85 Stainless Steel Perforated Extension
- 89 2 [51] High External Water Dam
- 90 90° Threaded Side Outlet Body

* Regularly furnished unless otherwise specified.