



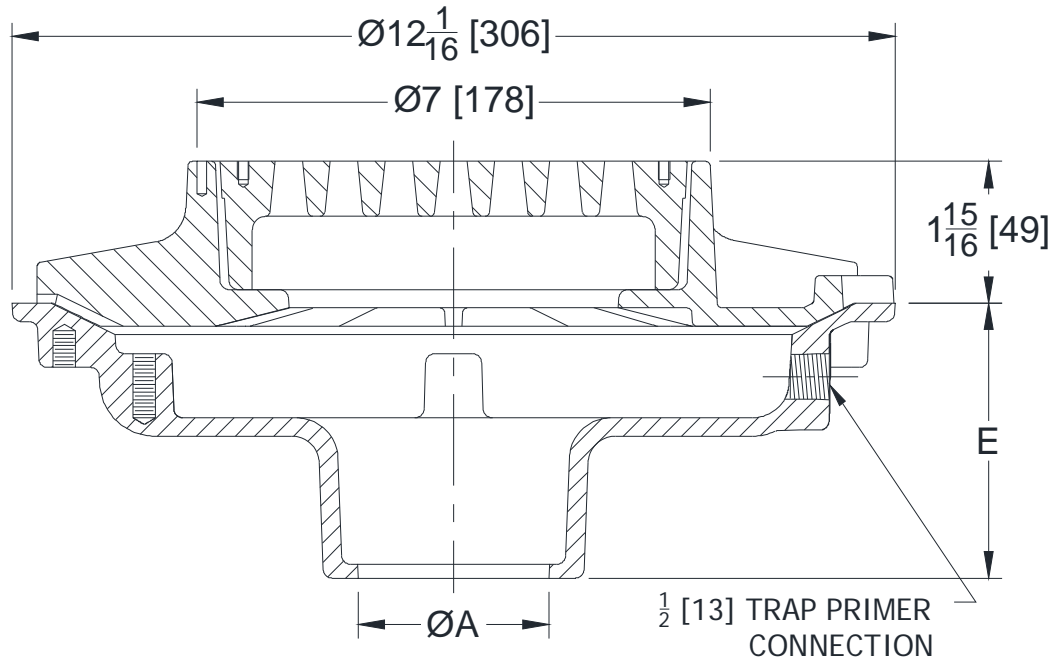
Z507-P

7 [178] DIAMETER MEDIUM DUTY DRAIN
W/ 1/2 [13] TRAP PRIMER CONNECTION

SPECIFICATION SHEET

TAG _____

Dimensional Data (inches and [mm]) are Subject to Manufacturing Tolerances and Change Without Notice



A Pipe Size In. [mm]	Approx. Wt. Lbs.[kg]	Grate Open Area Sq. In. [cm ²]
2, 3, 4 [51, 76, 102]	27 [12]	9 [58]
6 [152]	29 [13]	

ENGINEERING SPECIFICATION: ZURN Z507-P
7" [178mm] Diameter top drain, Dura-Coated cast iron body with bottom outlet, and 1/2 [13] trap primer connection, seepage pan and combination membrane flashing clamp, frame with seepage slots for medium-duty cast iron deep flange slotted grate.

OPTIONS (Check/specify appropriate options)

PIPE SIZE	(Specify size/type) OUTLET	'E' BODY HT. DIM.
4 [102]	___ IC Inside Caulk	3-3/4 [95]
4 [102]	___ IG Inside Gasket	3-3/4 [95]
3, 4 [76, 102]	___ IP Threaded	2-3/4 [70]
2, 3, 4 [51, 76, 102]	___ NH No-Hub	4-3/4 [121]
6 [152]	___ NH No-Hub	5-1/4 [133]
2, 3, 4 [51, 76, 102]	___ NL Neo-Loc	3-9/16 [90]

PREFIXES

- ___ Z D.C.C.I. Body and Top*
- ___ ZN D.C.C.I. Body with Polished Nickel Bronze Top (Add 3/16 [5] to 1-15/16 [48] Dim.)

SUFFIXES

- ___ -AR Acid Resisting Epoxy Coated Cast Iron
- ___ -G Galvanized Cast Iron
- ___ -TC Neo-Loc Test Cap Gasket (2, 3, 4 [51, 76, 102] NL Bottom Outlet Only)
- ___ -TS Top Secured with Slotted Screws
- ___ -VP Vandal-Proof Secured Top
- ___ -Y Sediment Bucket

* Regularly furnished unless otherwise specified.