



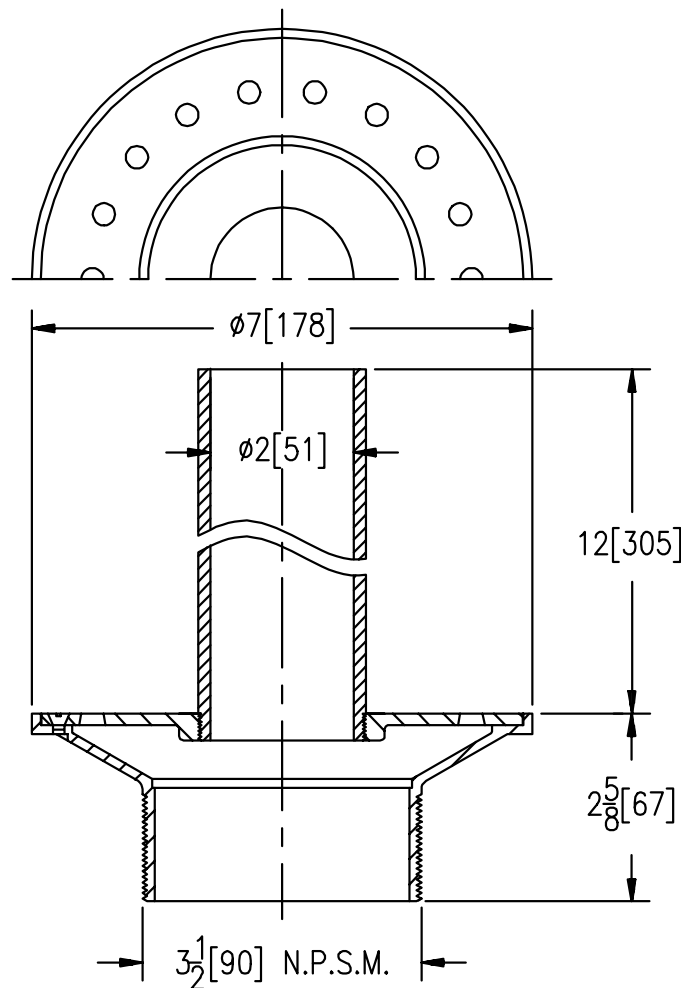
# Z-400-79

## ROUND STRAINER WITH STANDPIPE

SPECIFICATION SHEET

TAG \_\_\_\_\_

Dimensional Data (inches and [ mm ]) are Subject to Manufacturing Tolerances and Change Without Notice



Strainer Designation	Top Size Inches B	Approx. Wt. Lbs. [kg]	Open Area Sq. In. [cm <sup>2</sup> ]
-7E	7 [178]	10 [5]	5 [33]

**ENGINEERING SPECIFICATION:** ZURN Z ( ) -400-79 "TYPE E" round adjustable strainer top with combination standpipe/grate with perimeter openings. (Specify ZB or ZN finish)

**OPTIONS** (Check/specify appropriate options)

**PREFIXES**

- \_\_\_\_ ZB- Polished Bronze Top
- \_\_\_\_ ZN- Polished Nickel Bronze Top

**SUFFIXES**

- \_\_\_\_ -V Backwater Valve
- \_\_\_\_ -VP Vandal Proof Secured Top
- \_\_\_\_ -Y Sediment Bucket

REV.	DATE: 6/26/96	C.N. NO. 75265
DWG. NO. P-14351 PRODUCT NO. Z-400-79		

\*REGULARLY FURNISHED UNLESS OTHERWISE SPECIFIED