



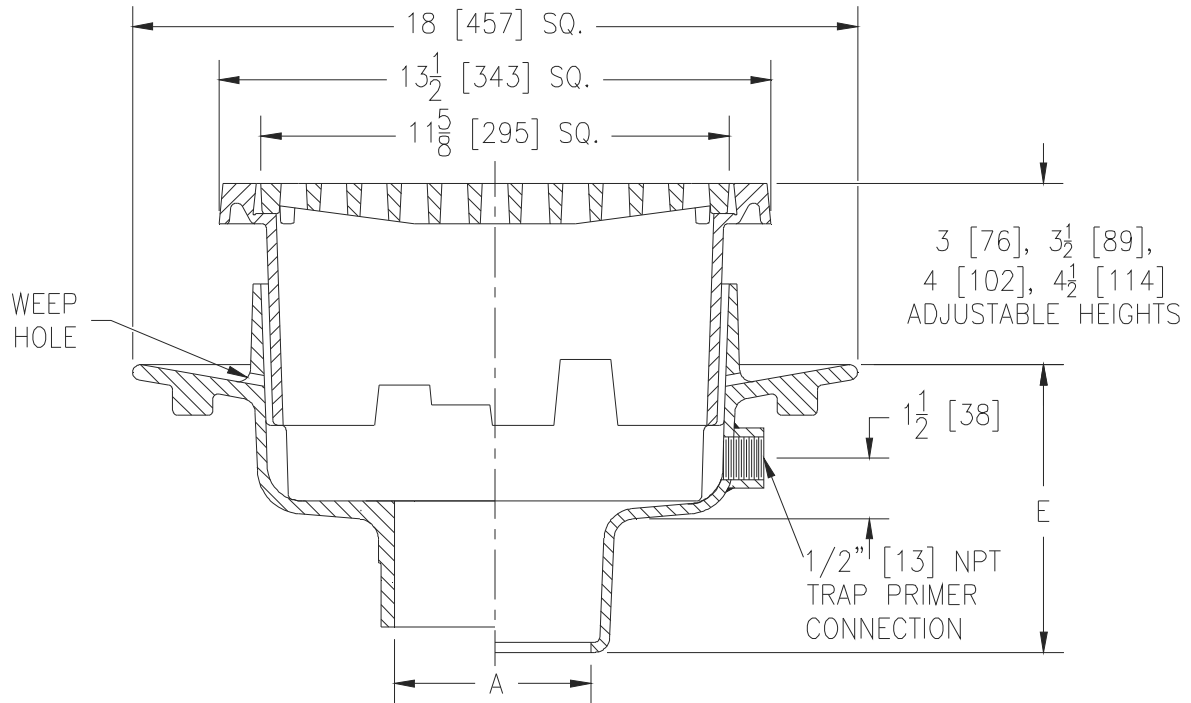
Z676-81

13-1/2 [343] SQUARE EXTRA HEAVY-DUTY DRAIN W/ TRAP PRIMER CONNECTION

SPECIFICATION SHEET

TAG _____

Dimensional Data (inches and [mm]) are Subject to Manufacturing Tolerances and Change Without Notice



A Pipe Size In [mm]	Approx. Wt. Lbs. [kg]	Grate Open Area Sq. In. [cm ²]
3,4,6 [76,102,152]	95 [43]	72 [465]

ENGINEERING SPECIFICATION: ZURN Z676-81

13-1/2" [343mm] Square top drain, Dura-Coated cast iron body with bottom outlet, seepage pan and vertically adjustable four position frame for Duresist extra heavy-duty loose slotted grate, and 1/2 [13mm] NPT Trap Primer Connection.

OPTIONS (Check/specify appropriate options)

PIPE SIZE

4 [102]
4 [102]
3,4,6 [76,102,152]
3,4,6 [76,102,152]
3,4 [76,102]

(Specify size/type) OUTLET

___ IC Inside Caulk
___ IG Inside Gasket
___ IP Threaded
___ NH No-Hub (IP w/ Z1040)
___ NL Neo-Loc

'E' BODY HT. DIM.

7-1/8 [181]
7-1/8 [181]
7-1/8 [181]
9-5/8 [244]
7-5/8 [194]

PREFIXES

___ Z D.C.C.I. Body and Top*
___ ZN D.C.C.I Body w/ Polished Nickel Bronze Top (Add 3/4 [19] to 13-1/2 [343] Dim. and 3/16 [5] to 'E' Dim.)

SUFFIXES

___ -AR Acid Resisting Epoxy Coated Cast Iron
___ -C Clamp Collar
___ -G Galvanized Cast Iron
___ -TS Top Secured With Slotted Screws
___ -VP Vandal-Proof Secured Top
___ -Y Sediment Bucket

* Regularly furnished unless otherwise specified.