



Z1202-HD4-124

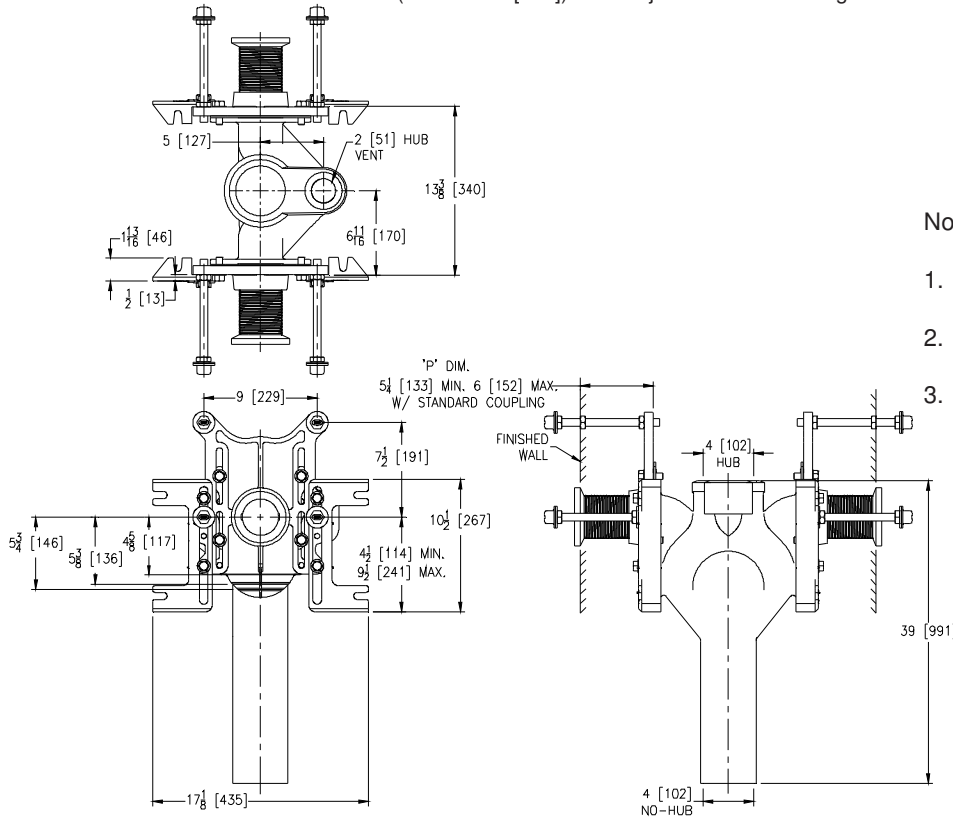
EZCARRY® ADJUSTABLE VERTICAL BACK-TO-BACK

HIGH PERFORMANCE SIPHON JET HUB AND SPIGOT WATER TAG

CLOSET CARRIER SYSTEM W/ EXTENDED BARREL

SPECIFICATION SHEET

Dimensional Data (inches and [mm]) are Subject to Manufacturing Tolerances and Change Without Notice



Product Number	Approx. Wt. lbs [kg]
Z1202-HD4-124	109 [49]

Note:

1. Z coupling, Min. 'P' Dim. Obtainable=2 [51]
ZQ coupling, Min. 'P' Dim Obtainable=5 [127]
2. Feet bolted to floor using min. 1/2 [13] dia. anchors.
3. Auxiliary inlet available right (-JR) or left (-JL) or both sides (-JJ) when specified.

ENGINEERING SPECIFICATION: ZURN Z1202-HD4-124

EZCarry® vertical siphon jet water closet carrier system with high performance waterway and 4" [102mm] hub and spigot connections and extended 39" [991mm] long barrel. System includes Dura-Coated cast iron double main fitting with hydro-mechanically optimized sweep and extended 2" [51mm] vent, adjustable gasketed faceplates, universal floor mounted pre-fab slotted foot supports, fixture bolts, trim, stud protectors, bonded "Neo-Seal" gaskets, and corrosion resistant, adjustable 3" [76mm] dia. X 6" [152mm] couplings with integral test caps designed to increase flow velocity and line carry. EZCarry® system complies with the requirements of ASME A112.6.1M up to a 500 lbs [227 kg] static load rating.

OPTIONS (Check/specify appropriate options)

Z1202-HD4-124 4 [102] Hub and Spigot Stack, Double Inlets, 2 [51] Vent

PREFIXES

- ___ Z D.C.C.I. System with Zurn ZZ Adjustable Coupling*
- ___ ZQ D.C.C.I. System with NPT Faceplate, Non-Adjustable Coupling

SUFFIXES

- | | | | |
|---------|--|------------|--|
| ___ -A | Auxiliary Support Assembly
(For 'P' Dim. Greater than 18 [457]) | ___ -JJ | Two 2 [51] Auxiliary Inlets |
| ___ -CC | Corrosion Resistant Cast Iron Coupling
(2-1/4 [57] to 12 [305]) | ___ -JL | 2 [51] Left-Hand Auxiliary Inlet |
| ___ -CE | EZ-Set™ Coupling (Available 6 [152] ,12 [305] or longer when specified. Minimum length=5 [127]) | ___ -JR | 2 [51] Right-Hand Auxiliary Inlet |
| ___ -CL | Custom Length Standard Coupling with Integral Test Cap
(Specify Length 4, 8, 10, 12 [102, 203, 254, 305]) | ___ -M | Auxiliary Foot Support
(for 'P' Dim. 10 thru 18 [254 thru 457]) |
| ___ -CS | 2-1/4 [57] Polymer Coupling with Integral Test Cap | ___ -RYK | Unistrut Pre-Fab Foot support |
| ___ -F | Floor Mounted, Back Outlet Fixture Support | ___ -RYK17 | One Piece Unistrut Pre-Fab Foot |
| ___ -G | Galvanized Cast Iron | ___ -VP | Vandal-Proof Trim |
| | | ___ -45 | Finishing Frame for Siphon Jet System |
| | | ___ -50 | Flush Valve Supply Support for Water Closets |

* Regularly furnished unless otherwise specified.

Zurn Industries, LLC | Specification Drainage Operation
1801 Pittsburgh Avenue, Erie, PA U.S.A. 16502 · Ph. 855-663-9876, Fax 814-454-7929
In Canada | Zurn Industries Limited
3544 Nashua Drive, Mississauga, Ontario L4V 1L2 · Ph. 905-405-8272, Fax 905-405-1292
www.zurn.com

Rev. -
Date: 02/15/17
C.N. No. 136276
Prod. | Dwg. No. Z1202-HD4-124