



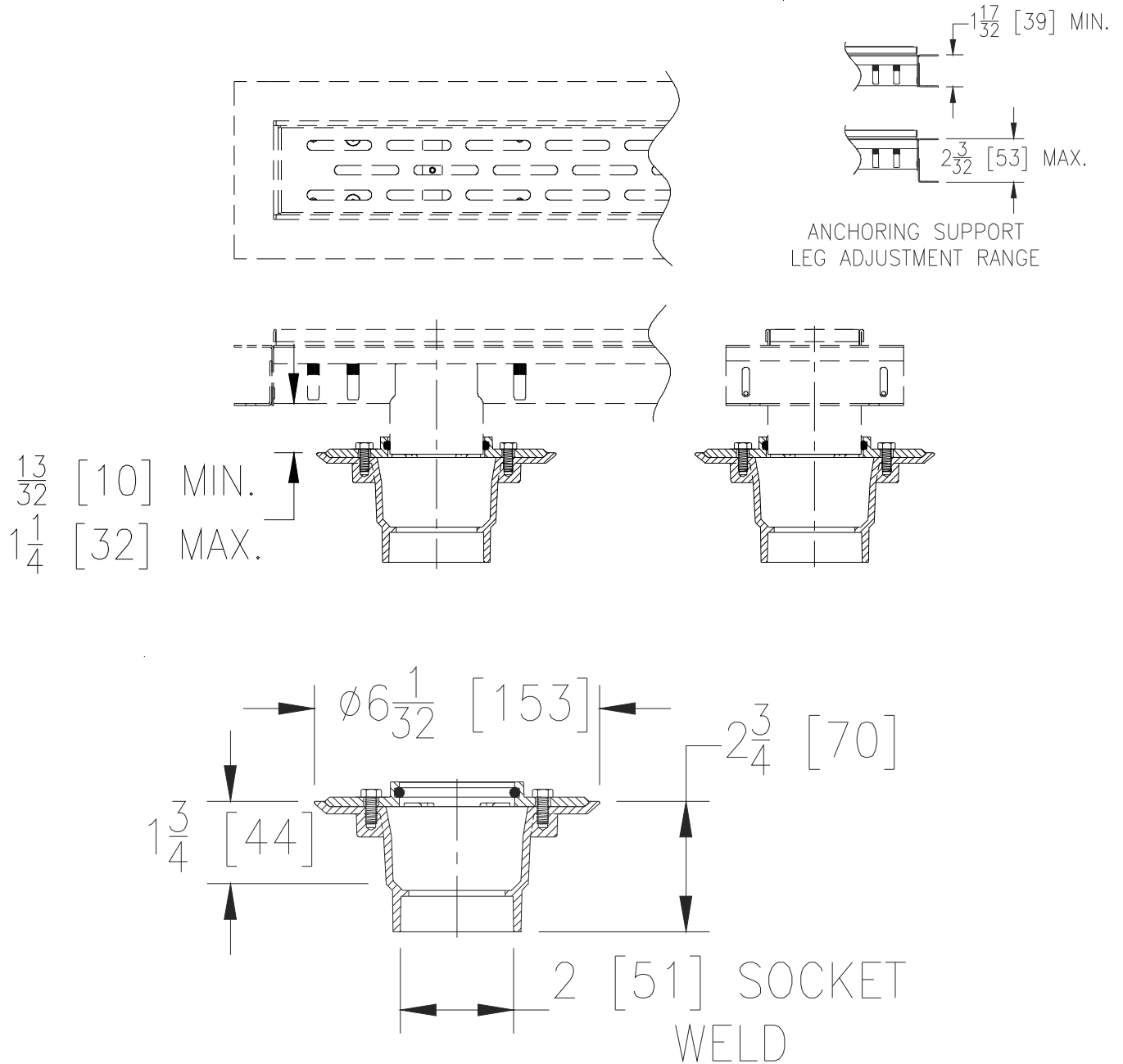
ZS880-LB

6 [162] DIAMETER PVC LOWER DRAIN BODY FOR LINEAR SHOWER DRAIN

SPECIFICATION SHEET

TAG _____

Dimensional Data (inches and [mm]) are Subject to Manufacturing Tolerances and Change Without Notice



ENGINEERING SPECIFICATION: ZS880-LB

PVC Drain Body complete with 2 [51] socket weld outlet, PVC membrane clamping collar with integral seepage slots, and o-ring seal to accept 2 [51] no-hub outlet of ZS880 stainless steel linear shower drain. For available option and technical information on the linear shower channel, see ZS880 specification sheet.

REV. -	DATE: 1/15/13	C.N. NO. 128685
PRODUCT NO. ZS880-LB		

*REGULARLY FURNISHED UNLESS OTHERWISE SPECIFIED

ZURN INDUSTRIES, LLC ♦ SPECIFICATION DRAINAGE OPERATION ♦ 1801 Pittsburgh Ave. ♦ Erie, PA 16514
Phone: 814/455-0921 ♦ Fax: 814/454-7929 ♦ World Wide Web: www.zurn.com

In Canada: ZURN INDUSTRIES LIMITED ♦ 3544 Nashua Drive ♦ Mississauga, Ontario L4V1L2 ♦ Phone: 905/405-8272 Fax: 905/405-1292