

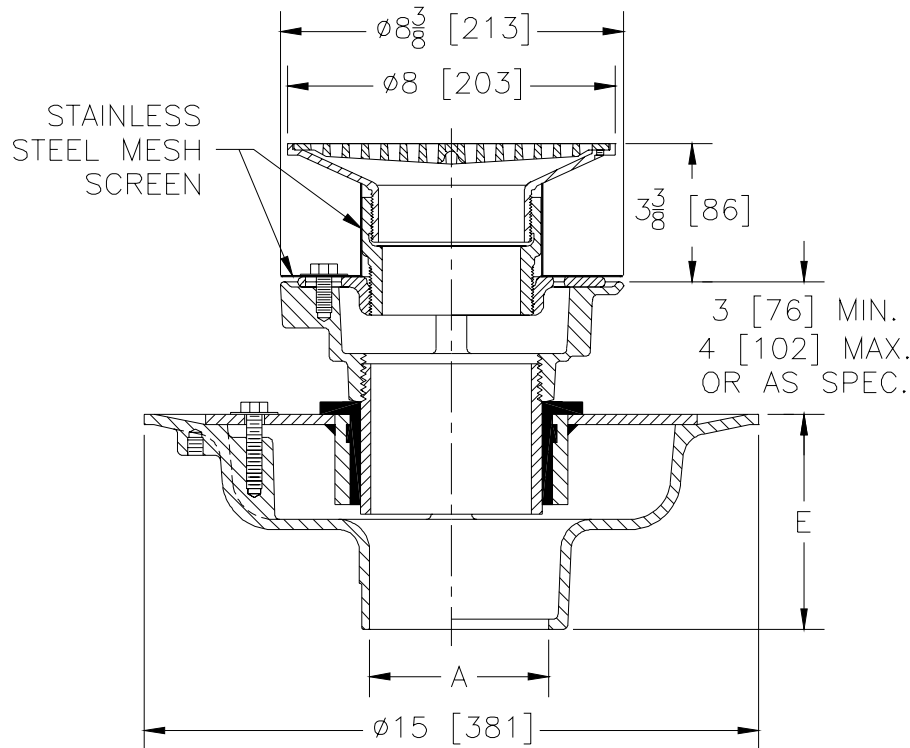


# Z625-81

## ISOLATION DECK ADJUSTABLE DRAIN W/ Z400-U TOP

TAG \_\_\_\_\_

Dimensional Data (inches and [ mm ]) are Subject to Manufacturing Tolerances and Change Without Notice



A- Pipe Size In.	Approx. Wt. Lbs. [Kg]	Grate Open Area Sq. In. [cm <sup>2</sup> ]
2-3-4 [50-75-100]	42 [19]	20 [190]
5-6 [125-150]		

**ENGINEERING SPECIFICATION: ZURN ZN625-81**  
Adjustable isolation deck drain, Dura-Coated cast iron upper and lower bodies, upper and lower clamp collars, lower collar with neoprene flex gasket and isolation nipple. Upper body with Z400-U adjustable strainer extension and clamp collar with with stainless steel mesh screen and 8 [203] diameter nickel bronze strainer.

**OPTIONS** (Check/specify appropriate options)

**PIPE SIZE**

- 2 thru 6 [50 thru 150]
- 2, 3, 4, 6 [50, 75, 100, 150]
- 2 thru 6 [50 thru 150]
- 2 thru 6 [50 thru 150]
- 2, 3, 4 [50, 75, 100]
- 5, 6 [125, 150]

(Specify size/type) **OUTLET**

- \_\_\_\_\_ IC Inside Caulk
- \_\_\_\_\_ IG Inside Caulk w/Sealtrol Gskt.
- \_\_\_\_\_ IP Threaded
- \_\_\_\_\_ NH No-Hub
- \_\_\_\_\_ NL Neo-Loc
- \_\_\_\_\_ NL Neo-Loc

**'E' BODY HT. DIMENSION**

- 5 1/4 [133]
- 5 1/4 [133]
- 3 3/4 [95]
- 5 1/4 [133]
- 4 5/8 [117]
- 5 1/2 [140]

**PREFIXES**

- \_\_\_\_\_ **ZB** D.C.C.I. Body with Polished Bronze Top
- \_\_\_\_\_ **ZN** D.C.C.I. Body with Polished Nickel Bronze Top\*

**SUFFIXES**

- \_\_\_\_\_ **-C** Underdeck Clamp (Lower Body)
- \_\_\_\_\_ **-G** Galvanized Cast Iron
- \_\_\_\_\_ **-R** Sump Receiver (Lower Body)
- \_\_\_\_\_ **-VP** Vandal Proof Secured Top

<b>REV.</b>	<b>DATE: 9/8/03</b>	<b>C.N. NO. 91248</b>
<b>DWG. NO. P-15008</b>		<b>PRODUCT NO. Z625-81</b>