

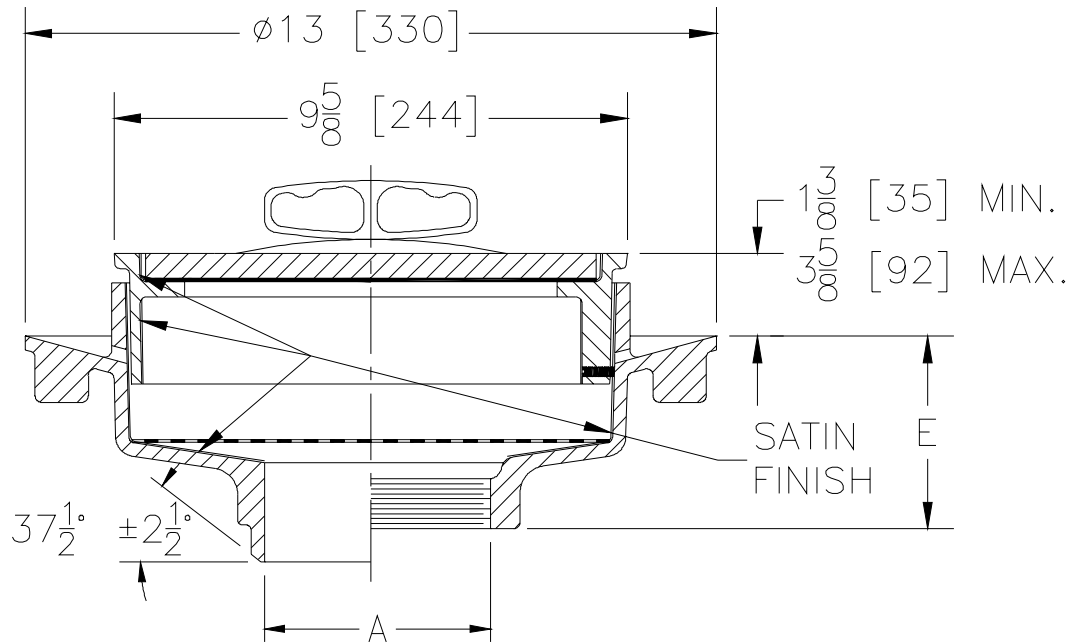


Z1732-86

ADJUSTABLE FLOOR DRAIN W/ LOOSE SET GASKETED COVER & LIFT HANDLE

TAG _____

Dimensional Data (inches and [mm]) are Subject to Manufacturing Tolerances and Change Without Notice



A- Pipe Size In.	Approx. Wt. Lbs. [kg]
2-3-4-6 [50-75-100-150]	40 [18]

ENGINEERING SPECIFICATION: ZURN Z1732-86 All Type 304 (CF8) stainless steel adjustable floor drain with integral anchor flange and seepage holes, adjustable top frame with loose set gasketed cover with satin finish, rubber lift handle, and flat secondary strainer.

OPTIONS (Check/specify appropriate options)

PIPE SIZE

- 2-3-4 [50-75-100]
- 6 [150]
- 3-4 [50-75]
- 2-3-4 [50-75-100]
- 6 [150]
- 2-3-4 [50-75-100]
- 6 [150]

(Specify size/type) **OUTLET**

- ___ BW Butt-weld 6 [150]
(Specify Schedule 10, 40 or 80)
- ___ BW Butt-weld 6 3/8 [162]
(Specify Schedule 10, 40 or 80)
- ___ IC Inside Caulk 6 [150]
- ___ NH No-Hub 6 [150]
- ___ NH No-Hub 6 3/8 [162]
- ___ IP Threaded 6 [150]
- ___ IP Threaded 6 3/8 [162]

PREFIXES

- ___ Z Type 304 (CF8) Stainless Steel Body*
- ___ ZC Type A-27 Carbon Steel Body (P.O.A.)
- ___ ZM Type 316 (CF8M) Stainless Steel Body

SUFFIXES

- ___ -E Extension
- ___ -K Seepage Holes Only
- ___ -KC Clamp Collar with Seepage Holes
- ___ -SC Solid Secured Cover
- ___ -SF Satin Finish Top
- ___ -Y Sediment Bucket
- ___ -30 Bronze Closure Plug
- ___ -31 Plastic Closure Plug
- ___ -33 Type 304 Stainless Steel Closure Plug
- ___ -34 Bronze Closure Plug with 3/4 [19] Test Plug

REV.	DATE: 1/28/04	C.N. NO. 91898
DWG. NO. P-15030 PRODUCT NO. Z1732-86		

*REGULARLY FURNISHED UNLESS OTHERWISE SPECIFIED