



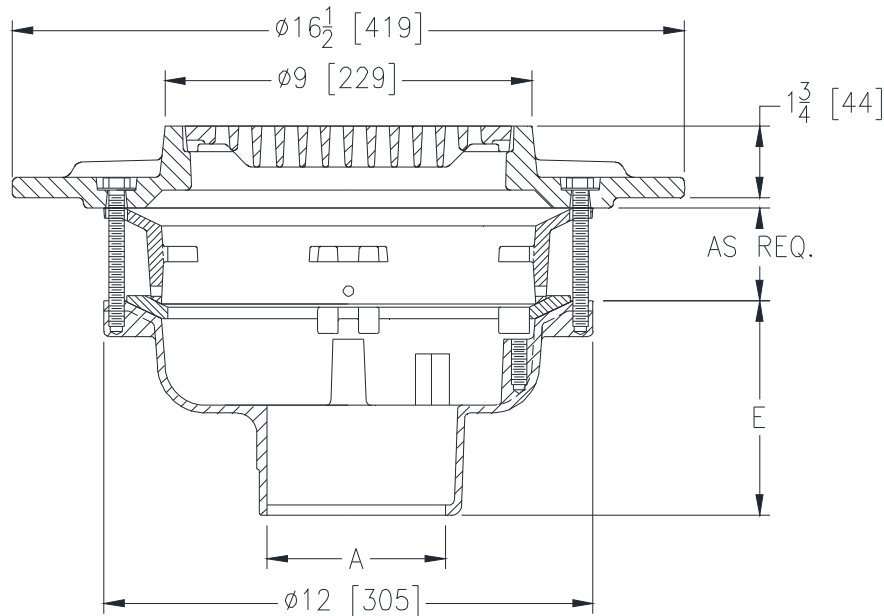
Z533-79

9 [229] DIAMETER HEAVY-DUTY PARKING DECK DRAIN W/ SUPPORT FLANGE, EXTENSION, & SECONDARY CLAMPING COLLAR

SPECIFICATION SHEET

TAG _____

Dimensional Data (inches and [mm]) are Subject to Manufacturing Tolerances and Change Without Notice



A Pipe Size In. [mm]	Approx. Wt. Lbs. [kg]	Grate Open Area Sq. In. [cm ²]
2,3,4 [51,76,102]	48 [22]	16 [103]

ENGINEERING SPECIFICATION: ZURN Z533-79

9"[229mm] Diameter Parking Deck Drain, Dura-Coated cast iron body with bottom outlet, heavy-duty gasketed drain support flange, secondary clamping collar, static extension with weepholes, and heavy-duty duresist slotted grate.

OPTIONS (Check/specify appropriate options)

PIPE SIZE

2,3,4 [51,76,102]
2,3,4 [51,76,102]
2,3,4 [51,76,102]
2,3,4 [51,76,102]
2,3,4 [51,76,102]

(Specify size/type) OUTLET

___ IC Inside Caulk
___ IG Inside Caulk w/Sealtrol Gskt.
___ IP Threaded
___ NH No-Hub
___ NL Neo-Loc

'E' BODY HT. DIM.

5-1/4 [133]
5-1/4 [133]
3-3/4 [95]
5-1/4 [133]
4-9/16 [116]

PREFIXES

___ Z D.C.C.I. Body and Top*
___ ZB D.C.C.I. Body with Polished Bronze Top (Add 3/16 [5] to 2 [51] Dim.)
___ ZN D.C.C.I. Body with Polished Nickel Bronze Top (Add 3/16 [5] to 2 [51] Dim.)

SUFFIXES

___ -C Underdeck Clamp
___ -G Galvanized Cast Iron
___ -S Secondary Strainer
___ -SA Stabilizer Assembly (See Z1036)
___ -TC Neo-Loc Test Cap Gasket
(2 [51]-4 [102] NL Bottom Outlet Only)
___ -TS Top Secured with Slotted Screws

___ -VP Vandal-Proof Secured Top
___ -XJ Expansion Joint (See Z190)
(Use with IP Type Outlets)
___ -Y Sediment Bucket

* Regularly furnished unless otherwise specified.