



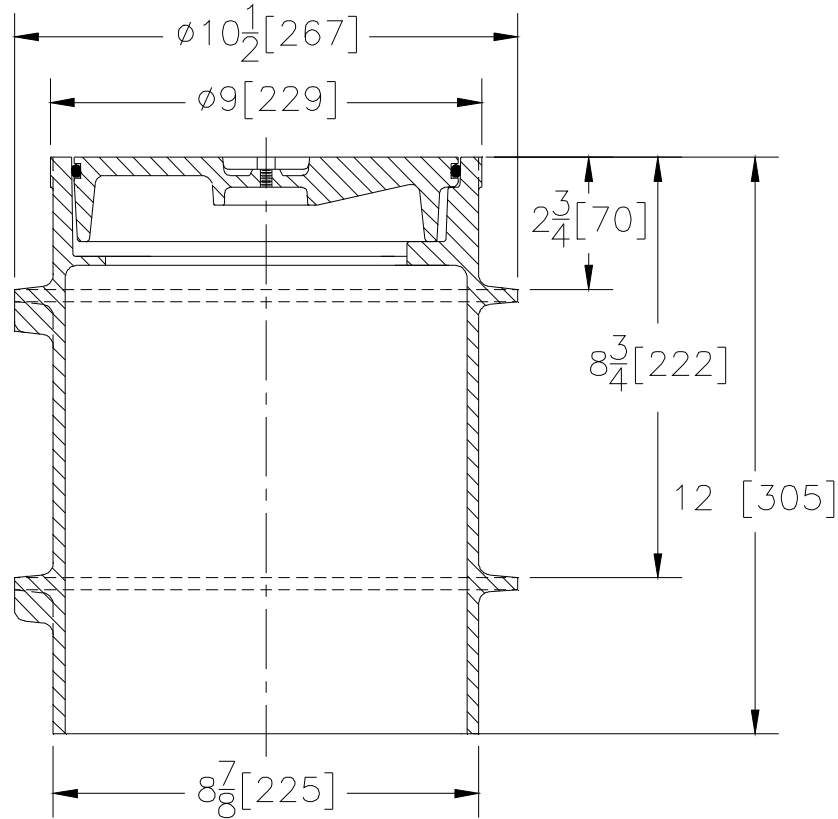
# Z1474-SG

HEAVY DUTY CLEANOUT HOUSING WITH SOLID GASKETED COVER

SPECIFICATION SHEET

TAG \_\_\_\_\_

Dimensional Data (inches and [ mm ]) are Subject to Manufacturing Tolerances and Change Without Notice



A Pipe Size Inches [mm]	Approx. Wt. Lbs [kg]
8-3/8 [213]	40 [18]

### ENGINEERING SPECIFICATION: ZURNZ1474-SG

Heavy Duty Cleanout Housing. Dura-Coated cast iron body with integral anchor flange, secured scoriated solid gasketed cover with lifting device.

**OPTIONS** (Check/specify appropriate options)

### PREFIXES

- \_\_\_ Z D.C.C.I. Body and Cover\*
- \_\_\_ ZN D.C.C.I. with Polished Nickel Bronze Top (Add 3/16 [5] to 2-3/4 [70] Dim. & 5/8 [16] to 9 [229] Dim.)

### SUFFIXES

- \_\_\_ -DC Duresist Cover
- \_\_\_ -G Galvanized Cast Iron
- \_\_\_ -N With Internal Cleanout (4, 6 [102, 152] Sizes)
- \_\_\_ -VP Vandal Proof Secured Top

\* Regularly furnished unless otherwise specified.