



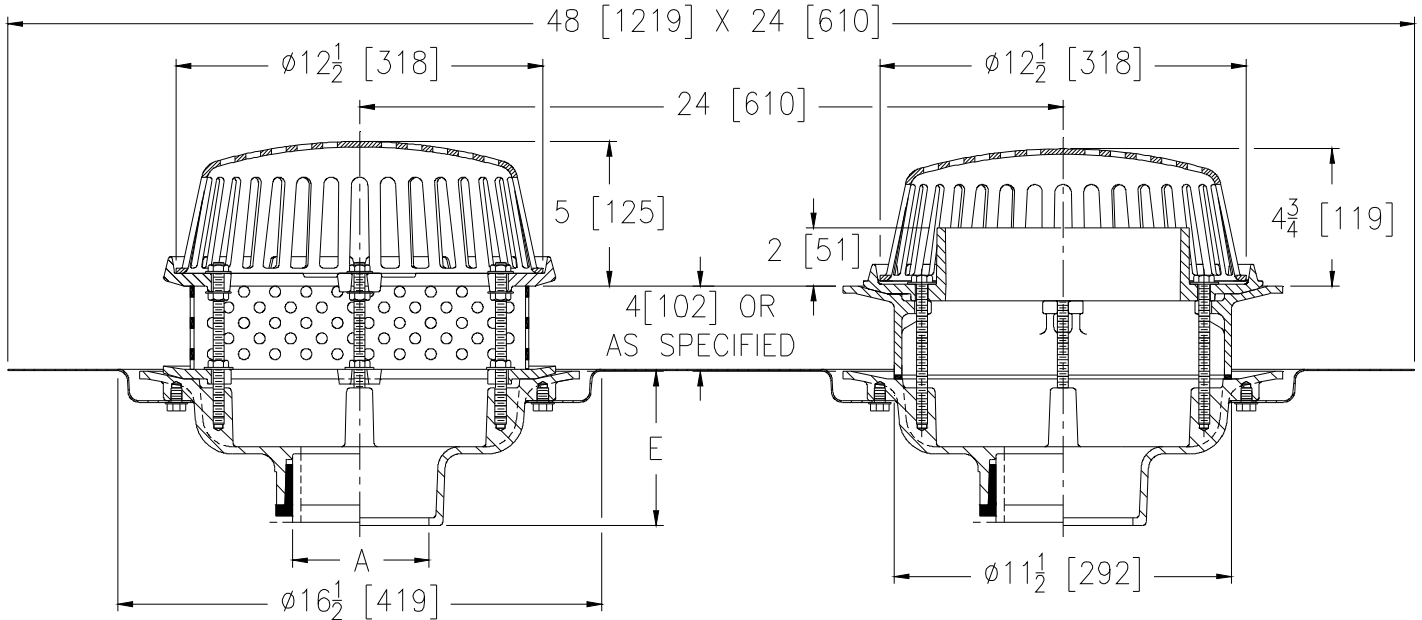
Z163-85

15 [381] DIAMETER COMBINATION MAIN ROOF & OVER-FLOW DRAIN W/ PERFORATED EXTENSION, DOUBLE TOP-SET® DECK PLATE, AND LOW SILHOUETTE DOMES

SPECIFICATION SHEET

TAG _____

Dimensional Data (inches and [mm]) are Subject to Manufacturing Tolerances and Change Without Notice



A Pipe Size In [mm]	Approx. Wt. Lbs. [kg]	Dome Open Area Sq. In. [cm ²]
2,3,4 [51,76,102]	36 [16]	103 [665]
6 [152]	37 [17]	
8 [203]	38 [17]	

ENGINEERING SPECIFICATION: ZURN Z163-85

15" [381 mm.] Diameter roof drain and overflow drain, Dura-Coated cast iron bodies with combination membrane flashing clamp/gravel guards, static extension assembly, perforated extension assembly, double Top-Set® deck plate, and low silhouette Poly-Domes.

OPTIONS (Check/specify appropriate options)

PIPE SIZE

- 3,4,6 [76,104,152]
- 2,3,4,6,8 [51,76,104,152,203]
- 2,3,4,6,8 [51,76,104,152,203]
- 2,3,4 [51,76,102]

(Specify size/type) OUTLET

- _____ IC Inside Caulk
- _____ IP Threaded
- _____ NH No-Hub
- _____ NL Neo-Loc

E BODY HT. DIM.

- 5-1/4 [133]
- 3-3/4 [95]
- 5-1/4 [133]
- 4-9/16 [116]

PREFIXES

- ___ Z D.C.C.I. Body with Poly-Dome*
- ___ ZA D.C.C.I. Body with Aluminum Dome
- ___ ZC D.C.C.I. Body with Cast Iron Dome

SUFFIXES

- ___ -AR Acid Resistant Epoxy Coated Finish
- ___ -DE Deck Extension
- ___ -DR Top-Set® Drain Riser
- ___ -E Static Extension Assembly 1 [25] thru 4 [102] (Specify Ht.)
- ___ -EA Adjustable Extension 2-1/8 [54] thru 3-1/2 [89]
- ___ -G Galvanized Cast Iron
- ___ -GD Galvanized Cast Iron Dome
- ___ -HD 6-3/4 [171] High Aluminum Dome (148 Sq. In. [955 cm²] Open Area)(ZA Only)
- ___ -SS Stainless Steel Mesh Screen Over Dome
- ___ -TC Neo-Loc Test Cap Gasket (2,3,4 [51,76,102] NL Bottom Outlet Only)
- ___ -VP Vandal-Proof Secured Top
- ___ -W3 3 [76] Internal Water Dam
- ___ -W4 4 [102] Internal Water Dam
- ___ -XJ Vertical Expansion Joint (See Z190)
- ___ -84 Stainless Steel Perforated Gravel Guard
- ___ -89 2 [51] High External Water Dam (Replaces Internal Dam)

* Regularly furnished unless otherwise specified.

Zurn Industries, LLC | Specification Drainage Operation
 1801 Pittsburgh Avenue, Erie, PA U.S.A. 16502 · Ph. 855-663-9876, Fax 814-454-7929
 In Canada | Zurn Industries Limited
 3544 Nashua Drive, Mississauga, Ontario L4V 1L2 · Ph. 905-405-8272, Fax 905-405-1292
www.zurn.com

Rev. A
 Date: 10/04/17
 C.N. No. 138349
 Prod. | Dwg. No. Z163-85