

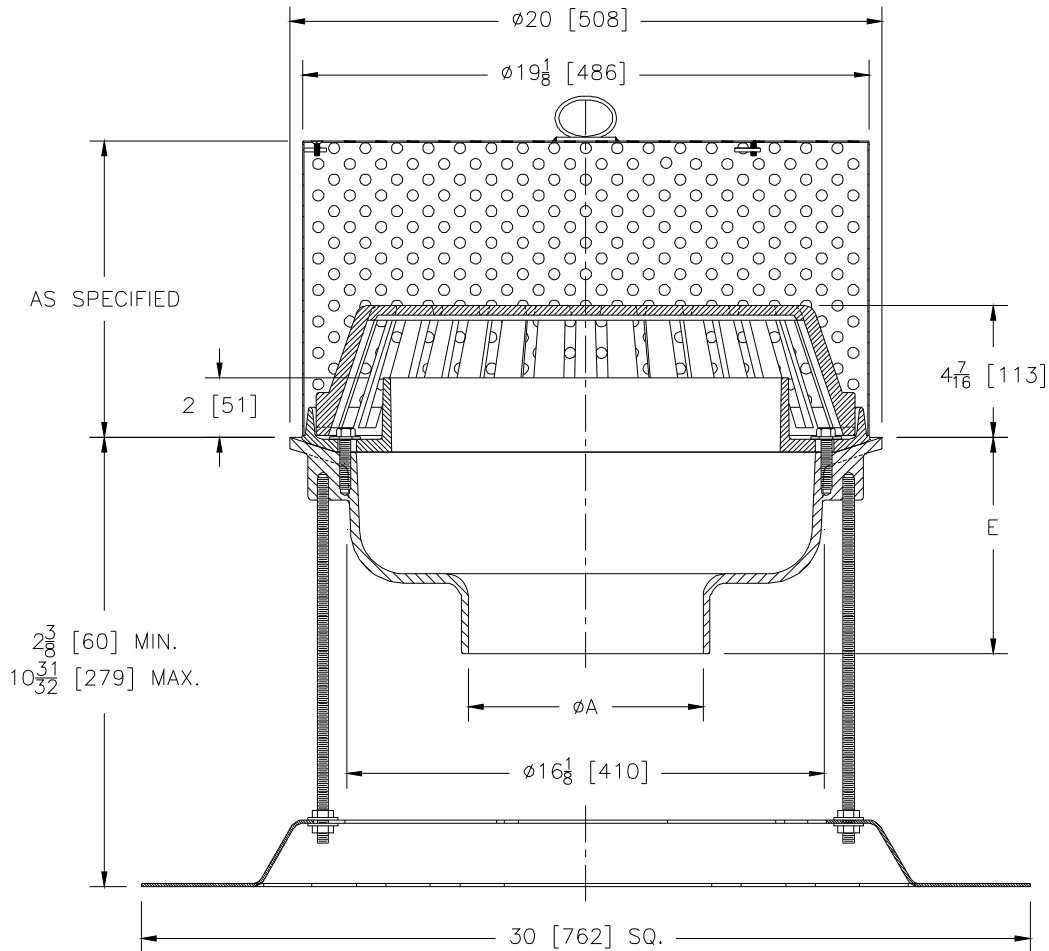


**Z101-84**  
**20 [508] DIAMETER MAIN ROOF DRAIN W/WATER**  
**REGULATOR AND STABILIZER PLATE**

SPECIFICATION SHEET

TAG \_\_\_\_\_

Dimensional Data (inches and [mm]) are Subject to Manufacturing Tolerances and Change Without Notice



A- Pipe Size In.	Approx. Wt. Lbs. [kg]	Dome Open Area Sq. In. [cm <sup>2</sup> ]
8 [203]	87 [39]	216 [1394]
10 [254]	88 [40]	
12 [305]	89 [40]	

**ENGINEERING SPECIFICATION: ZURN Z101-84**  
 20 [508] Diameter roof drain. Dura-Coated cast iron body with combination membrane flashing clamp/gravel guard, 2 [51] high water level regulator and low silhouette dome. Complete with stabilizer plate.

**PIPE SIZE**

8, 10, 12 [203, 254, 305]

(Specify size/type) **OUTLET**

\_\_\_\_\_ NH No-Hub

**E BODY HT. DIM.**

7 5/16 [185]

**PREFIXES**

\_\_\_\_\_ Z D.C.C.I. Body with Cast Iron Dome\*

**SUFFIXES**

\_\_\_\_\_ -E Static Extension 2 [51] thru 4 [102] (Specify Height)  
 \_\_\_\_\_ -G Galvanized Cast Iron

REV.	DATE: 4/15/10	C.N. NO. 111013
DWG. NO. 84598	PRODUCT NO. Z101-84	

\*REGULARLY FURNISHED UNLESS OTHERWISE SPECIFIED