



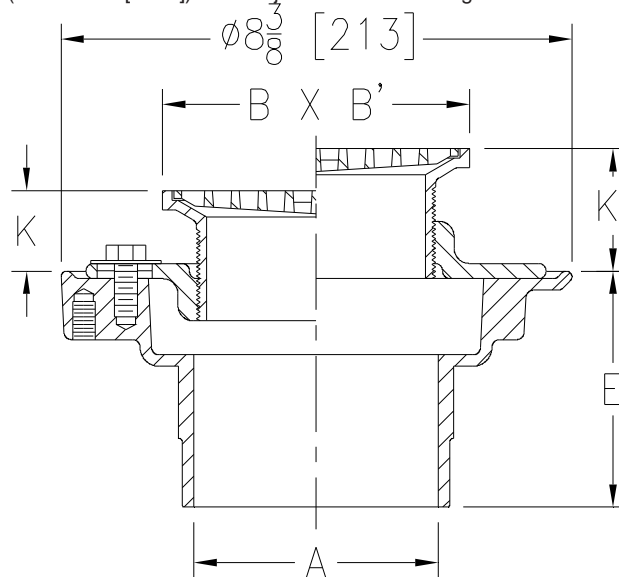
Z415S-89

BODY ASSEMBLY W/ "TYPE S" STRAINER

SPECIFICATION SHEET

TAG _____

Dimensional Data (inches and [mm]) are Subject to Manufacturing Tolerances and Change Without Notice



Dimensions In Inches						Approx. Wt. Lbs. [kg]	Strainer Open Area Sq. In. [cm ²]
A - Pipe Size	B x B' Strainer Top Size	K		K'			
		Min.	Max.	Min.	Max.		
4 [102]	5 x 5 [127 x 127]	7/8 [22]	1 3/4 [44]	1 1/2 [38]	2 5/8 [67]	12 [5]	9 [58]

ENGINEERING SPECIFICATION: ZURN ZN415S-89 Floor and shower drain, Dura-Coated cast iron body with bottom outlet, combination invertible membrane clamp and adjustable collar with seepage slots and "TYPE S" polished nickel bronze square heel-proof strainer.

OPTIONS (Check/specify appropriate options)

PIPE SIZE

4 [102]

(Specify size/type) **OUTLET**

____ NH No-Hub

'E' BODY HT. DIM.

3 7/8 [98]

PREFIXES

- ____ ZB D.C.C.I. Body Assembly w/ Polished Bronze Top
- ____ ZN D.C.C.I. Body Assembly w/ Polished Nickel Bronze Top*

SUFFIXES

- ____ -AR Acid Resisting Epoxy Coated Cast Iron
- ____ -CP Chrome-Plated Top
- ____ -DP Decorative Polished Top
- ____ -G Galvanized Cast Iron
- ____ -P Trap Primer Connection (Specify 1/2 [13] or 3/4 [19])
- ____ -SR Stabilizer Ring
- ____ -TC Neo-Loc Test Cap Gasket (2 [51] - 4 [102] NL Outlet Only)
- ____ -U 1 - 3 [25 - 76] High Extension Adapter
- ____ -V Backwater Valve
- ____ -VP Vandal-Proof Secured Top
- ____ -Y Sediment Bucket
- ____ -90 90° Threaded Side Outlet Body Assembly (2 [51], 3 [76] Only)

REV.	DATE: 4/13/07	C.N. NO. 96463
DWG. NO. P-15405		PRODUCT NO. Z415S-89

*REGULARLY FURNISHED UNLESS OTHERWISE SPECIFIED