



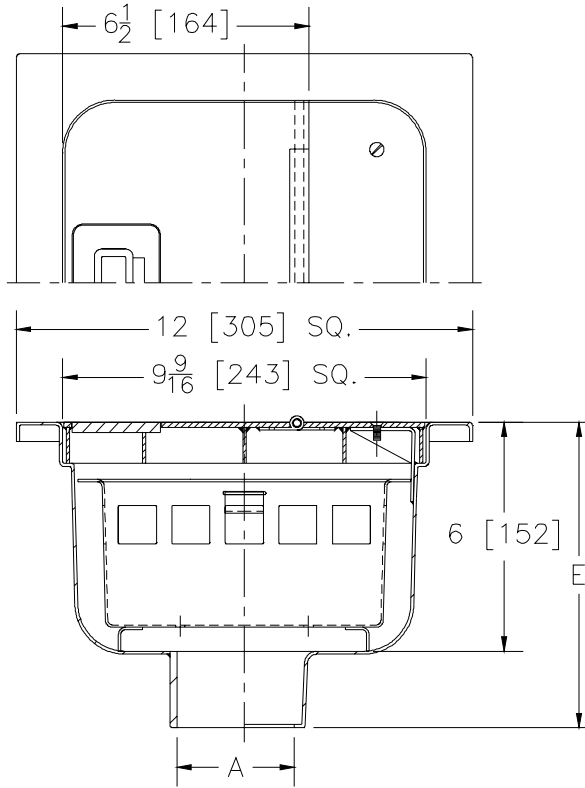
# Z1750-141

## 12 X 12 [305 x 305] SANI-FLOR RECEPTOR 6 [152] SUMP DEPTH W/ HINGED SOLID COVER

SPECIFICATION SHEET

TAG \_\_\_\_\_

Dimensional Data (inches and [ mm ]) are Subject to Manufacturing Tolerances and Change Without Notice



A- Pipe Size In.	Approx. Wt. Lbs. [kg]
2-3-4 [51-76-102]	15 [7]

**ENGINEERING SPECIFICATION:** ZURN Z1750-141 12 x 12 x 6 [305 x 305 x 152] deep, 14 gage, All Type 304 (CF8) Stainless Steel light duty Sani-Flor receptor with hinged solid cover and sediment bucket.

**OPTIONS** (Check/specify appropriate options)

**PIPE SIZE**

- 2 thru 4 [51 thru 102]
- 2 [51]
- 3 [76]
- 4 [102]
- 2 thru 4 [51 thru 102]
- 2 thru 4 [51 thru 102]

(Specify size/type) **OUTLET**

- \_\_\_ IC Inside Caulk
- \_\_\_ IP Threaded
- \_\_\_ IP Threaded
- \_\_\_ IP Threaded
- \_\_\_ NH No-Hub
- \_\_\_ NL Neo-Loc

**'E' BODY HT. DIM.**

- 8 9/16 [214]
- 7 5/16 [186]
- 7 9/16 [198]
- 8 1/16 [205]
- 8 1/16 [205]
- 7 13/16 [198]

**PREFIXES**

- \_\_\_ Z Type 304 (CF8) Stainless Steel Body\*
- \_\_\_ ZM Type 316 (CF8M) Stainless Steel

**SUFFIXES**

- \_\_\_ -DX Dex-o-tex Flange
- \_\_\_ -IP Female Threaded Outlet
- \_\_\_ -K Seepage Pan
- \_\_\_ -KC Seepage Pan with Clamp Collar
- \_\_\_ -LSH (Less) Seepage Holes
- \_\_\_ -P 1/2 [13] Trap Primer Connection

REV.	DATE: 6/14/05	C.N. NO. 93537
DWG. NO. P-15164 PRODUCT NO. Z1750-141		

\*REGULARLY FURNISHED UNLESS OTHERWISE SPECIFIED