



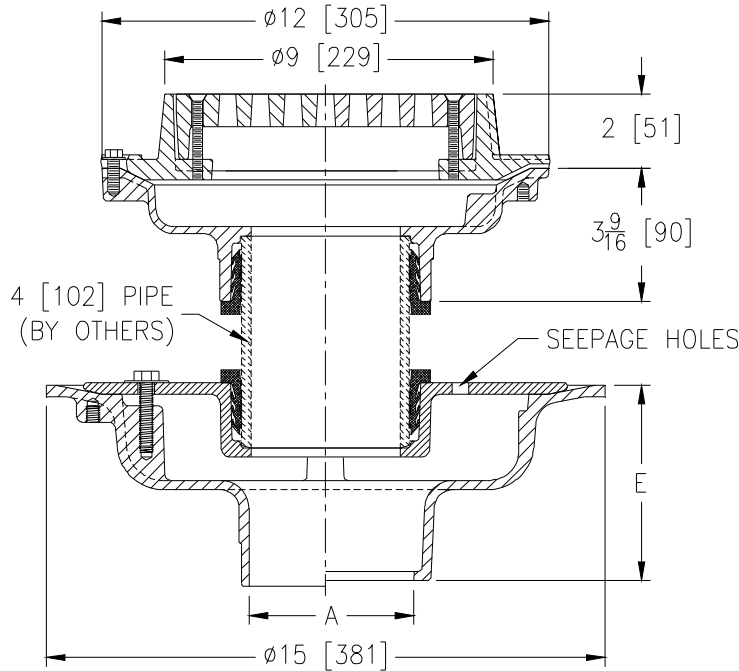
# Z624-95

## 9 [229] EXTRA-HEAVY DUTY ISOLATION DECK DRAIN

SPECIFICATION SHEET

TAG \_\_\_\_\_

Dimensional Data (inches and [ mm ]) are Subject to Manufacturing Tolerances and Change Without Notice



A Pipe Size	Approx. Wt. Lbs. [kg]	Grate Open Area Sq. In. [cm <sup>2</sup> ]
2, 3, 4 [51, 76, 102]	50 [23]	18 [116]
5, 6 [127, 152]		

**ENGINEERING SPECIFICATION: ZURN Z624-95**  
 Floating slab drain, Dura-Coated cast iron upper and lower bodies, clamp collar with weep holes, neoprene flex gaskets, upper seepage pan and combination membrane flashing clamp and frame for extra-heavy-duty cast iron secured deep flange slotted grate.

**OPTIONS** (Check/specify appropriate options)

**PIPE SIZE**

- 2 thru 6 [51 thru 152]
- 2 thru 4, 6 [51 thru 102, 152]
- 2 thru 6 [51 thru 152]
- 2 thru 6 [51 thru 152]
- 2 thru 4 [51 thru 102]

(Specify size/type) **OUTLET**

- \_\_\_ IC Inside Caulk
- \_\_\_ IG Inside Caulk w/Sealtrol Gskt.
- \_\_\_ IP Threaded
- \_\_\_ NH No-Hub
- \_\_\_ NL Neo-Loc

**'E' BODY HT. DIM.**

- 5 1/4 [133]
- 5 1/4 [133]
- 3 3/4 [95]
- 5 1/4 [133]
- 4 5/8 [117]

**PREFIXES**

- \_\_\_ Z D.C.C.I. Body and Top\*
- \_\_\_ ZB D.C.C.I Body w/ Polished Bronze Top (Add 3/16 [5] to 2 [51] and 3/4 [19] to 9 [229] Dim.)
- \_\_\_ ZN D.C.C.I Body w/ Polished Nickel Bronze Top (Add 3/16 [5] to 2 [51] and 3/4 [19] to 9 [229] Dim.)

**SUFFIXES**

- \_\_\_ -AR Acid Resisting Epoxy Coated Cast Iron
- \_\_\_ -C Underdeck Clamp (Lower Body)
- \_\_\_ -DG Duresist Grate
- \_\_\_ -F Extension Frame (Specify Total Height Req'd)
- \_\_\_ -G Galvanized Cast Iron
- \_\_\_ -HP Heel-Proof Grate
- \_\_\_ -LH Less Weep Holes in Clamp Collar
- \_\_\_ -R Sump Receiver (Lower Body)
- \_\_\_ -SC Solid Cover with Lift Handle
- \_\_\_ -SG Solid Gasketed Cover
- \_\_\_ -TS Top Secured with Slotted Screws
- \_\_\_ -VP Vandal-Proof Secured Top
- \_\_\_ -Y Sediment Bucket (Upper Body)

\*REGULARLY FURNISHED UNLESS OTHERWISE SPECIFIED

REV.	DATE: 10/29/09	C.N. NO. 110378
DWG. NO. P-15789	PRODUCT NO. Z624-95	