



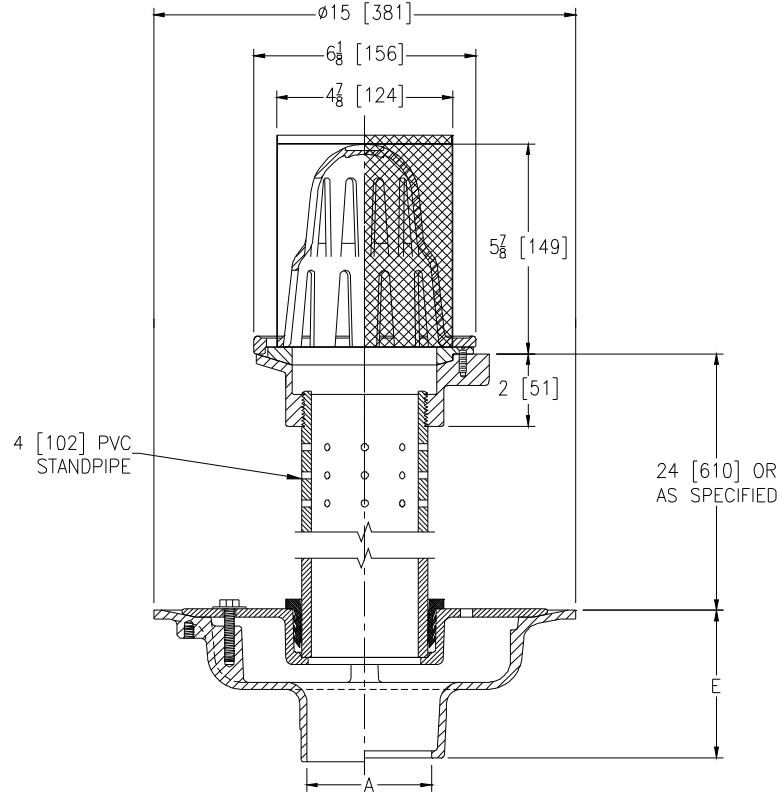
Z624-122

ISOLATION DECK DRAIN W/ Z181 UPPER DRAIN ASSEMBLY, HIGH DOME, BRONZE MESH SCREEN, AND PERFORATED STANDPIPE

SPECIFICATION SHEET

TAG _____

Dimensional Data (inches and [mm]) are Subject to Manufacturing Tolerances and Change Without Notice



A Pipe Size in [mm]	Approx. Wt. Lbs. [kg]	Dome Open Area Sq. In. [cm ²]
2, 3, 4 [51, 76, 102]	56 [25]	103 [665]
6, 8 [152, 203]		

ENGINEERING SPECIFICATION: ZURN Z624-122

Floating slab drain, Dura-Coated cast iron lower bodies, clamp collar with weep holes, neoprene flex gasket, perforated isolation nipple, 6" [152mm] diameter by 2" [51mm] high cornice drain, Dura-Coated cast iron upper body, plain bronze high dome, bronze mesh screen and membrane flashing clamp.

OPTIONS (Check/specify appropriate options)

PIPE SIZE

- 3,4,6 [76,102,152]
- 2,3,4,6,8 [51,76,102,152,203]
- 2,3,4,6,8 [51,76,102,152,203]
- 2,3,4 [51,76,102]
- 6 [152]

(Specify size/type) OUTLET

- _____ IC Inside Caulk
- _____ IP Threaded
- _____ NH No-Hub
- _____ NL Neo-Loc
- _____ NL Neo-Loc

'E' BODY HT. DIM.

- 5-1/4 [133]
- 3-3/4 [95]
- 5-1/4 [133]
- 4-9/16 [116]
- 5-7/16 [138]

PREFIXES

- _____ ZN D.C.C.I. Body with Polished Nickel Bronze Dome*
- _____ ZRB D.C.C.I. Body with Plain Bronze Dome

SUFFIXES

- _____ -C Underdeck Clamp (Lower Body)
- _____ -DP Top-Set® Deck Plate (Replaces both the -C and -R)
- _____ -G Galvanized Cast Iron
- _____ -LH Less Weep Holes in Clamp Collar
- _____ -R Sump Receiver (Lower Body)
- _____ -SD Longer Standpipe (Specify Height Required)
- _____ -VP Vandal-Proof Secured Top
- _____ -8 8 [203] High Body

* Regularly furnished unless otherwise specified.