



# ZN1201-N\_4-F

NARROW WALL WITH 8-13/16 [224] FRONT TO BACK  
EZCARRY® ADJUSTABLE HORIZONTAL HIGH PERFORMANCE  
SIPHON JET NO-HUB WATER CLOSET CARRIER SYSTEM  
FOR FLOOR MOUNTED BACK OUTLET FIXTURE

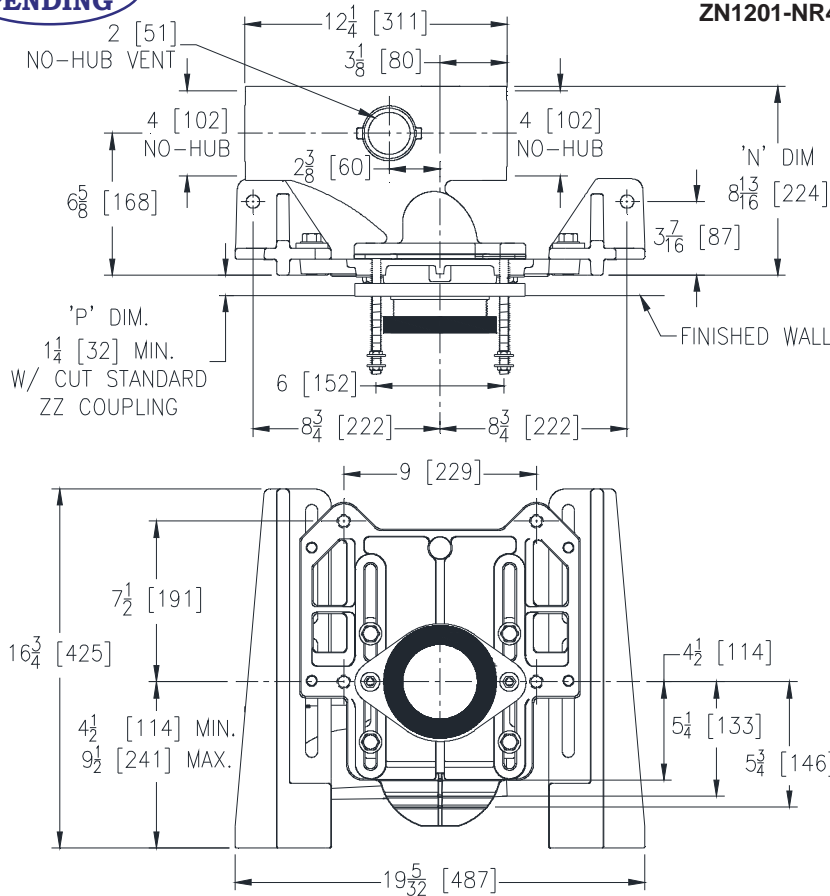
SPECIFICATION SHEET

TAG \_\_\_\_\_

**PATENT  
PENDING**

Dimensional Data (inches and [mm]) are Subject to Manufacturing Tolerances and Change Without Notice

**ZN1201-NR4-F Illustrated**



Product Number	Approx. Wt. Lbs [kg]
ZN1201-NL4-F	75 [34]
ZN1201-NR4-F	

**Note:**

1. Cut ZZ Coupling, Min. 'P' Dim. Obtainable = 1-1/4 [32]
2. Carrier floor anchors must each be able to withstand a pull-out force of 1741 lbs [790 kg].
3. Pull-out forces are calculated values with standard coupling assembly. No safety factor has been applied. See Form # C38 for more information.

**ENGINEERING SPECIFICATION: ZURN ZN1201-N\_4-F**

EZCarry® Narrow Wall horizontal siphon jet water closet carrier system, with high performance Dura-Coated cast iron main fitting with hydro-mechanically optimized sweep, 4" [102 mm] no-hub connections, and extended 2" [51 mm] vent. Corrosion resistant, adjustable 3" [76 mm] diameter X 6" [152 mm] coupling with integral test cap, designed to increase flow velocity and line carry, and labor saving "Neo-Seal" bonded gasket optimizes flow performance while reducing installation steps. Complete system includes an adjustable, gasketed faceplate; floor mounted foot supports; and floor mounted back outlet fixture support.

**OPTIONS** (Check/specify appropriate options)

- \_\_\_ ZN1201-NL4-F 4 [102] No-Hub Left Hand Inlet with Flow to Right
- \_\_\_ ZN1201-NR4-F 4 [102] No-Hub Right Hand Inlet with Flow to Left

**PREFIXES**

- \_\_\_ Z D.C.C.I. System with Zurn ZZ Adjustable Coupling\*

**SUFFIXES**

- \_\_\_ -CC Corrosion Resistant Cast Iron Coupling (2-1/4 to 12 [57 to 305])
- \_\_\_ -CS 2-1/4 [57] Polymer Coupling with Integral Test Cap
- \_\_\_ -G Galvanized Cast Iron
- \_\_\_ -JC 2 [51] Auxiliary Inlet with 1/8 [3] Blend
- \_\_\_ -VP Vandal-Proof Trim
- \_\_\_ -50 Flush Valve Supply Support for Water Closets

\* Regularly furnished unless otherwise specified.