



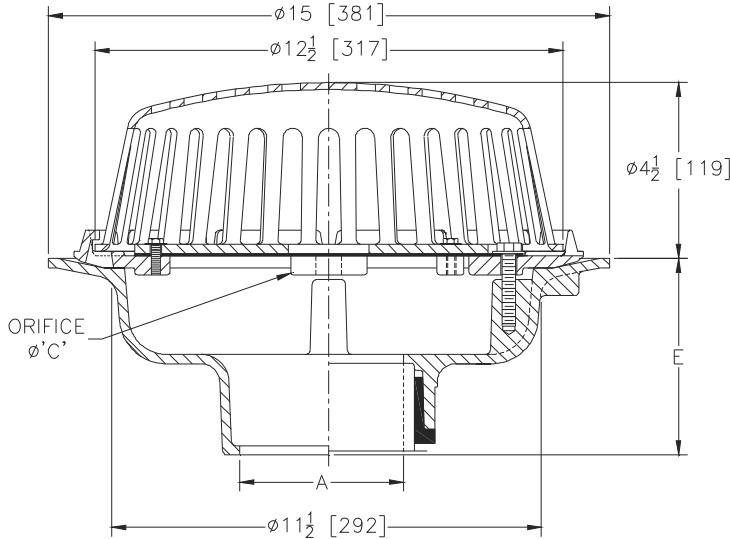
# Z100-365

15[381] DIAMETER MAIN ROOF DRAIN WITH GASKETED STAINLESS STEEL FLOW RESTRICTING PLATE AND FEATURING 1.59" [40mm] DIAMETER ORIFICE

SPECIFICATION SHEET

TAG \_\_\_\_\_

Dimensional Data (inches and [ mm ]) are Subject to Manufacturing Tolerances and Change Without Notice



Flow Rate GPM [LPM]	Head Depth in [mm]	Orifice Dia. 'C' in [mm]
17.28 [65.41]	4 [102]	1.59 [40]

A- Pipe Size In. [mm]	Approx. Wt. Lbs. [kg]	Dome Open Area Sq. In. [cm <sup>2</sup> ]
2,3,4 [51,76,102]	26 [12]	103 [665]
5,6 [127,152]	27 [12]	
8 [203]	28 [13]	

### ENGINEERING SPECIFICATION: ZURN Z100-365

15" [381mm] Diameter roof drain. Dura-Coated cast iron body with combination membrane flashing clamp/gravel guard, gasketed Stainless Steel flow restricting plate and low silhouette Poly-Dome.

### OPTIONS (Check/specify appropriate options)

#### PIPE SIZE

- 2,3,4,6,8 [51,76,102,152,203]
- 2,3,4,6,8 [51,76,102,152,203]
- 2,3,4,6,8 [51,76,102,152,203]
- 2,3,4 [51,76,102]

#### (Specify size/type) OUTLET

- \_\_\_\_\_ IC Inside Caulk
- \_\_\_\_\_ IP Threaded
- \_\_\_\_\_ NH No-Hub
- \_\_\_\_\_ NL Neo-Loc

#### E BODY HT. DIM.

- 5-1/4 [133]
- 3-3/4 [95]
- 5-1/4 [133]
- 4-5/8 [117]

#### PREFIXES

- \_\_\_\_\_ Z D.C.C.I. Body with Poly-Dome\*
- \_\_\_\_\_ ZA D.C.C.I. Body with 6-3/4 [171] High Aluminum Dome
- \_\_\_\_\_ ZC D.C.C.I. Body with Cast Iron Dome
- \_\_\_\_\_ ZRB D.C.C.I. Body with Plain Bronze Dome

#### SUFFIXES

- |                                                                                                                  |                                                                                                  |
|------------------------------------------------------------------------------------------------------------------|--------------------------------------------------------------------------------------------------|
| _____ -AC Angular Underdeck Clamp                                                                                | _____ -HD 6-3/4 [171] High Aluminum Dome Strainer (148 Sq. In. [955 cm <sup>2</sup> ] Open Area) |
| _____ -AR Acid Resistant Epoxy Coated                                                                            | _____ -R Roof Sump Receiver                                                                      |
| _____ -BS Bronze Mesh Screen Over Dome                                                                           | _____ -SC Secondary Clamping Collar                                                              |
| _____ -C Underdeck Clamp                                                                                         | _____ -SS Stainless Steel Mesh Screen Over Dome                                                  |
| _____ -DP Top-Set® Deck Plate (Replaces both the -C and -R)                                                      | _____ -TC Neo-Loc Test Cap Gasket (2,3,4 [51,76,102] NL Bottom Outlet Only)                      |
| _____ -DR Top-Set® Drain Riser                                                                                   | _____ -VP Vandal-Proof Secured Top                                                               |
| _____ -DX Dex-o-tex Flange                                                                                       | _____ -XJ Vertical Expansion Joint (See Z190)                                                    |
| _____ -E Static Extension 1 [25] thru 4 [102] (Specify Ht.)                                                      | _____ -84 Stainless Steel Perforated Gravel Guard                                                |
| _____ -EA Adjustable Extension Assembly 1-3/4 [44] thru 3-1/2 [89]                                               | _____ -90 90° Threaded Side Outlet Body (2,3,4,6 [51,76,102,152])                                |
| _____ -EB Top-Set® Adjustable Extension Assembly                                                                 |                                                                                                  |
| _____ -ES Static Extension with Secondary Clamp at Body (for clamping waterproofing membrane at roof drain body) |                                                                                                  |
| _____ -G Galvanized Cast Iron                                                                                    |                                                                                                  |
| _____ -GD Galvanized Cast Iron Dome (ZC Only)                                                                    |                                                                                                  |

\* Regularly furnished unless otherwise specified.