



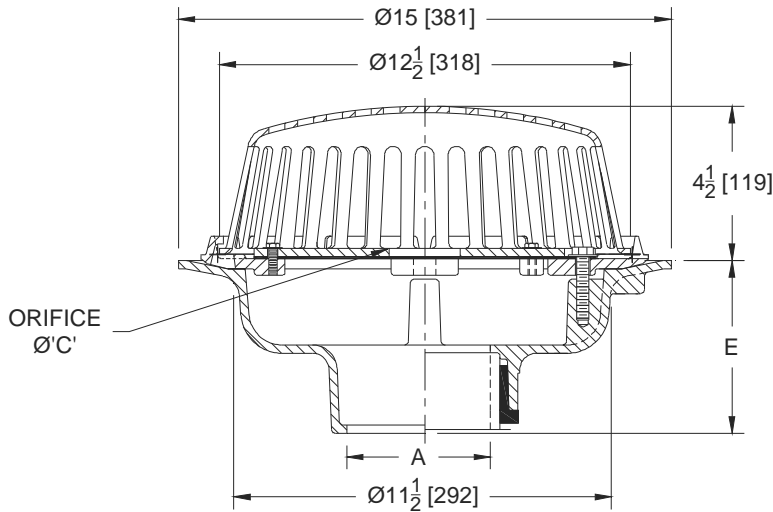
Z100-367

15 [381] DIAMETER MAIN ROOF DRAIN WITH
GASKETED STAINLESS STEEL FLOW RESTRICTING
PLATE FEATURING 1.27 [32] DIAMETER ORIFICE

SPECIFICATION SHEET

TAG _____

Dimensional Data (inches and [mm]) are Subject to Manufacturing Tolerances and Change Without Notice



| Flow Rate GPM [LPM] | Head Depth in [mm] | Orifice Dia. 'C' in [mm] |
|------------------------|-----------------------|--------------------------------|
| 10.96 [42] | 4 [102] | 1.27 [32] |

| A - Pipe Size In. [mm] | Approx. Wt. Lbs. [kg] | Dome Open Area Sq. In. [cm ²] |
|---------------------------|-----------------------------|--|
| 2,3,4 [51,76,102] | 26 [12] | 103 [665] |
| 6 [152] | 27 [12] | |
| 8 [203] | 28 [13] | |

ENGINEERING SPECIFICATION: ZURN Z100-367

15" [381mm] Diameter roof drain. Dura-Coated cast iron body with combination membrane flashing clamp/gravel guard, gasketed Stainless Steel flow restricting plate and low silhouette Poly-Dome.

OPTIONS (Check/specify appropriate options)

PIPE SIZE

2,3,4,6,8 [51,76,102,152,203]
2,3,4,6,8 [51,76,102,152,203]
2,3,4,6,8 [51,76,102,152,203]
2,3,4 [51,76,102]

(Specify size/type) OUTLET

_____ IC Inside Caulk
_____ IP Threaded
_____ NH No-Hub
_____ NL Neo-Loc

E BODY HT. DIM.

5-1/4 [133]
3-3/4 [95]
5-1/4 [133]
4-5/8 [117]

PREFIXES

_____ Z D.C.C.I. Body with Poly-Dome*
_____ ZA D.C.C.I. Body with 6-3/4 [171] High Aluminum Dome
_____ ZC D.C.C.I. Body with Cast Iron Dome
_____ ZRB D.C.C.I. Body with Plain Bronze Dome

SUFFIXES

| | |
|--|---|
| _____ -AC Angular Underdeck Clamp | _____ -G Galvanized Cast Iron |
| _____ -AR Acid Resistant Epoxy Coated | _____ -GD Galvanized Cast Iron Dome (ZC Only) |
| _____ -BS Bronze Mesh Screen Over Dome | _____ -HD 6-3/4 [171] High Aluminum Dome Strainer (148 Sq. In. [955 cm ²] Open Area) |
| _____ -C Underdeck Clamp | _____ -R Roof Sump Receiver |
| _____ -DP Top-Set® Deck Plate (Replaces both the -C and -R) | _____ -SC Secondary Clamping Collar |
| _____ -DR Top-Set® Drain Riser | _____ -SS Stainless Steel Mesh Screen Over Dome |
| _____ -DX Dex-o-tex Flange | _____ -TC Neo-Loc Test Cap Gasket (2,3,4 [51,76,102] NL Bottom Outlet Only) |
| _____ -E Static Extension 1 [25] thru 4 [102] (Specify Ht.) | _____ -VP Vandal-Proof Secured Top |
| _____ -EA Adjustable Extension Assembly 1-3/4 [44] thru 3-1/2 [89] | _____ -XJ Vertical Expansion Joint (See Z190) |
| _____ -EB Top-Set® Adjustable Extension Assembly | _____ -84 Stainless Steel Perforated Gravel Guard |
| _____ -ES Static Extension with Secondary Clamp at Body (for clamping waterproofing membrane at roof drain body) | _____ -90 90° Threaded Side Outlet Body (2,3,4,6 [51,76,102,152]) |

* Regularly furnished unless otherwise specified.