



Z415T-76

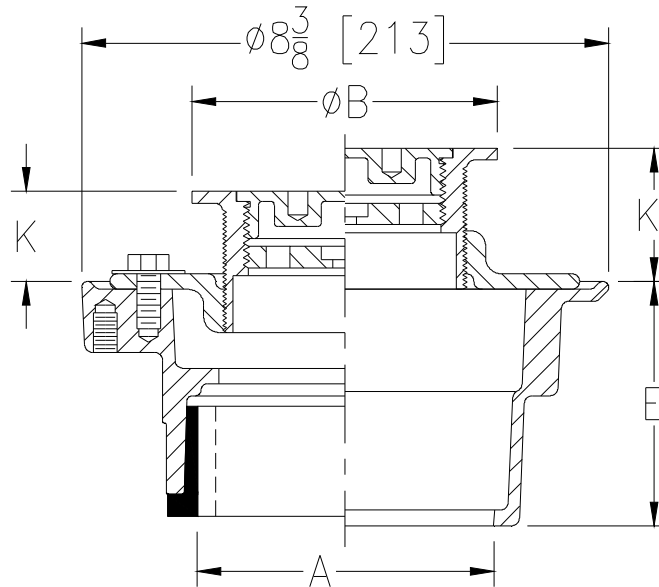
BODY ASSEMBLY

W/ "TYPE T" STRAINER AND CLAMP COLLAR LESS SEEPAGE HOLES

SPECIFICATION SHEET

TAG _____

Dimensional Data (inches and [mm]) are Subject to Manufacturing Tolerances and Change Without Notice



Dimensions In Inches						Approx. Wt. Lbs. [kg]	Strainer Open Area Sq. In. [cm ²]
A - Pipe Size	B - Dia.	K		K'			
		Min.	Max.	Min.	Max.		
2-3 [51-76]	5 [127]	7/8 [22]	2 1/8 [54]	1 7/8 [48]	3 [76]	12 [5]	6 [39]
2-3-4 [51-76-102]	6 [152]	7/8 [22]	2 1/8 [54]	1 7/8 [48]	3 [76]	13 [6]	7 [45]
2-3-4 [51-76-102]	7 [178]	7/8 [22]	2 1/8 [54]	1 7/8 [48]	3 [76]	14 [6]	7 [45]

ENGINEERING SPECIFICATION: ZURN ZN415T-76 Floor and shower drain, Dura-Coated cast iron body with bottom outlet, combination invertible membrane clamp and adjustable collar less seepage holes and "TYPE T" polished nickel bronze strainer with solid secured cover.

OPTIONS (Check/specify appropriate options)

PIPE SIZE	(Specify size/type)	OUTLET	'E' BODY HT. DIM.
2 thru 4 [51 thru 102]	_____	IC Inside Caulk	3 7/8 [98]
2 [51]	_____	IP Threaded	2 3/8 [60]
3 [76]	_____	IP Threaded	2 5/8 [67]
4 [102]	_____	IP Threaded	2 7/8 [73]
2 thru 4 [51 thru 102]	_____	NH No-Hub	3 7/8 [98]
2 thru 4 [51 thru 102]	_____	NL Neo-Loc	3 3/4 [95]

PREFIXES

- _____ ZB D.C.C.I. Body Assembly w/ Polished Bronze Top
- _____ ZN D.C.C.I. Body Assembly w/ Polished Nickel Bronze Top*

SUFFIXES

- _____ -AR Acid Resisting Epoxy Coated Cast Iron
- _____ -CG Clamp Collar Gasket
- _____ -G Galvanized Cast Iron
- _____ -P Trap Primer Connection (Specify 1/2 [13] or 3/4 [19])
- _____ -SR Stabilizer Ring
- _____ -SW Spanner Wrench for Cover
- _____ -U 1- 3 [25 - 76] High Extension Adapter
- _____ -18 Leveling Ring (See Z400-18)
- _____ -90 90° Threaded Side Outlet Body Assembly (2 [51], 3 [76] Only)

*REGULARLY FURNISHED UNLESS OTHERWISE SPECIFIED

REV.	DATE: 10/28/09	C.N. NO. 110369
DWG. NO. P-15788 PRODUCT NO. Z415T-76		