



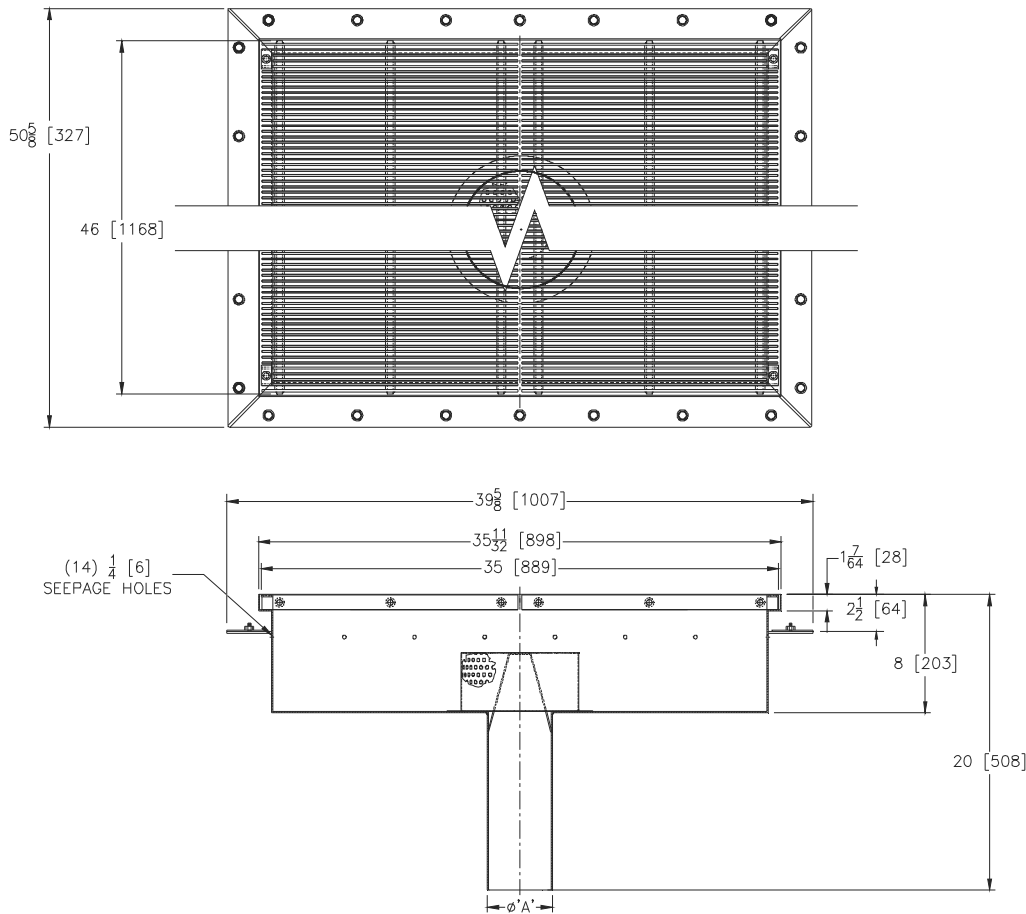
Z1761-103

35 X 46 [889 X 1168] KETTLE DRAIN W/ 8 [203] SUMP
 DEPTH, ANCHOR FLANGE, CLAMPING COLLAR, 12 [305]
 LONG OUTLET, & PERFORATED SS DOME STRAINER

SPECIFICATION SHEET

TAG _____

Dimensional Data (inches and [mm]) are Subject to Manufacturing Tolerances and Change Without Notice



A Pipe Size In. [mm]	Approx. Wt. Lbs. [kg]	Grate Open Area Sq. In. [cm ²]
4,6,8 [102,152,203]	219 [99]	1188 [7665]

ENGINEERING SPECIFICATION: ZURNZS1761-103
 35" [889 mm] wide x 46" [1168 mm] long x 8" [203 mm] deep, 14 gage,
 All Type 304 (CF8) Stainless Steel light duty Kettle Drain with loose
 set full grates, anchor flange, clamping collar, 12" [305mm] long
 outlet, & perforated stainless steel dome strainer.

OPTIONS (Check/specify appropriate options)

PIPE SIZE

4,6,8 [102,152,203]

(Specify size) **OUTLET**

____ NH No-Hub

PREFIXES

- ____ Z A.R.E. Coated Fabricated Steel Body and Type 304 (CF8) Stainless Steel Grate
- ____ ZS Type 304 (CF8) Stainless Steel Body and Grate*
- ____ ZM Type 316 (CF8M) Stainless Steel Body and Grate

* Regularly furnished unless otherwise specified.