



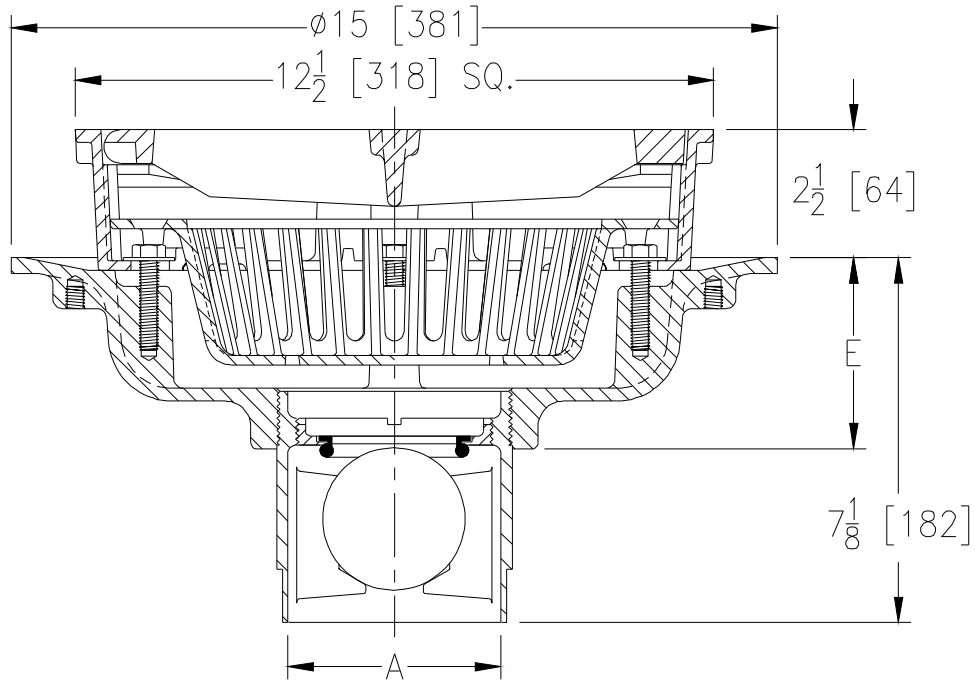
Z610-V

12-1/2 [318] HEAVY-DUTY DRAIN WITH BACKWATER VALVE

SPECIFICATION SHEET

TAG _____

Dimensional Data (inches and [mm]) are Subject to Manufacturing Tolerances and Change Without Notice



A - Pipe Size in. [mm]	Approx. Wt. Lbs. [kg]	Grate Open Area Sq. In. [cm ²]
2, 3, 4, 6 [51, 76, 102, 152]	62 [28]	42 [271]

ENGINEERING SPECIFICATION: ZURN Z610-V

12-1/2" [318mm] Square top drain, Dura-Coated cast iron body with bottom outlet, seepage pan and combination membrane flashing clamp and frame for heavy-duty cast iron loose slotted grate, with suspended polypropylene sediment bucket and Z1099 backwater valve

OPTIONS (Check/specify appropriate options)

PIPE SIZE

2, 3, 4, 6 [51, 76, 102, 152]

(Specify size) OUTLET

___ NH No-Hub

'E' BODY HT. DIM.

3-3/4 [95]

PREFIXES

- ___ Z D.C.C.I. Body and Top*
- ___ ZB D.C.C.I. Body w/Polished Bronze Top (Add 3/16 [5] to 2-1/2 [64] Dim. and 3/4 [19] to 12-1/2 [318] Dim.)
- ___ ZN D.C.C.I. Body w/Polished Nickel Bronze Top (Add 3/16 [5] to 2-1/2 [64] Dim. and 3/4 [19] to 12-1/2 [318] Dim.)

SUFFIXES

- | | |
|---|---|
| ___ -AR Acid Resistant Epoxy Coated Cast Iron | ___ -LY (Less) Sediment Bucket |
| ___ -DG Duresist Grate | ___ -P Trap Primer Connection |
| ___ -DS Ductile Iron Solid Cover | ___ -S Secondary Strainer |
| ___ -DX Dex-o-tex Flange (ZB, ZN Only) | ___ -SC Solid Cover |
| ___ -F 2 [51] High Extension | ___ -SS Stainless Steel Mesh Liner for Bucket |
| ___ -G Galvanized Cast Iron | ___ -TS Top Secured with Slotted Screws |
| ___ -H Hinged Grate | ___ -VP Vandal-Proof Secured Top |
| ___ -HC Hinged Solid Cover | ___ -YA Aluminum Sediment Bucket |
| ___ -HL Hinged Locking Grate | ___ -YC Cast Iron Sediment Bucket |
| ___ -HLC Hinged Locking Cover | |

* Regularly furnished unless otherwise specified.

Zurn Industries, LLC | Specification Drainage Operation
 1801 Pittsburgh Avenue, Erie, PA U.S.A. 16502 · Ph. 855-663-9876, Fax 814-454-7929
 In Canada | Zurn Industries Limited
 3544 Nashua Drive, Mississauga, Ontario L4V 1L2 · Ph. 905-405-8272, Fax 905-405-1292
www.zurn.com

Rev. B
 Date: 10/09/2017
 C.N. No. 138546
 Prod. | Dwg. No. Z610-V