



Z890-114

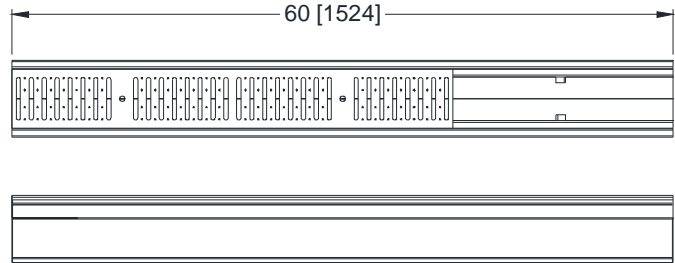
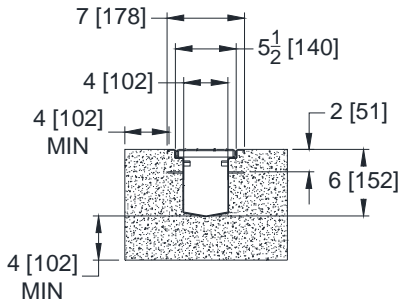
7 [178] WIDE REVEAL TRENCH DRAIN SYSTEM WITH ANCHOR FLANGE & LESS LEVELING FEET

SPECIFICATION SHEET

TAG _____

Dimensional Data (inches and [mm]) are Subject to Manufacturing Tolerances and Change Without Notice

SPECIFYING ENGINEER IS RESPONSIBLE FOR CONCRETE ENCASEMENT AND REINFORCING BASED UPON APPLICATION AND LOCAL CODES



ENGINEERING SPECIFICATION: Zurn Z890-114

Channels are 60" [1524 mm] long, 7" [178 mm] wide and have a 4" [102 mm] throat. Modular channel sections are made of 16ga. fabricated Stainless Steel conforming to ASTM A-240 (type 304). Channels have a welded connection between sections. Channels provided with an anchor flange. Channels weigh less than 2.31 lbs.[1.05kg] per linear foot, have a smooth, 1-1/2" [38 mm] radiused self cleaning bottom with a Manning's coefficient of .009 and neutral 0% built in slope. Channels provided with standard FS grates that lock down to frame. Zurn 6" [152 mm] wide reveal Fabricated Stainless Steel Grate conforming to ASTM specification A-240, (type 304), is rated class A per the DIN EN1433 top load classification. Supplied in 40" [1016 mm] nominal lengths with 5/16" [8 mm] wide slots, and 3/4" [19 mm] bearing depth. Grate has an open area of 12 sq. in per ft. [22,717 sq. mm per meter]. Channels produced in the U.S.A.

PREFIX OPTIONS (Check/specify appropriate options)

___ Z Five-foot, Type 304 Stainless Steel*

SUFFIX OPTIONS (Check/specify appropriate options)

Outlet Adapters Add/Each

- ___ -E1 Closed End Cap
- ___ -U2 2 [51] No-Hub Bottom Outlet
- ___ -E2 2 [51] No-Hub End Outlet
- ___ -U3 3 [76] No-Hub Bottom Outlet
- ___ -E3 3 [76] No-Hub End Outlet
- ___ -U4 4 [102] No-Hub Bottom Outlet
- ___ -E4 4 [102] No-Hub End Outlet

Miscellaneous Options

- ___ -DB Bottom Dome Strainer
- ___ -VP Vandal-Proof Lockdown

Decorative Grate Options

(Load Classifications are per DIN EN1433)

- ___ -BCD Bronze Circular Decorative Grate - Class A
- ___ -BDD Bronze Diagonal Decorative Grate - Class A
- ___ -DCD Ductile Iron Circular Decorative Grate - Class C
- ___ -DDD Ductile Iron Diagonal Decorative Grate - Class A
- ___ -DOG Ductile Iron Decorative Grate - Class A
- ___ -DWV Ductile Wave Decorative Grate - Class A
- ___ -HPB Heel-Proof Bronze Slotted Grate - Class A
- ___ -HPS Heel-Proof Stainless Steel Slotted Grate - Class A
- ___ -SBG Stainless Steel Bar Grate - Class E
- ___ -SCD Stainless Steel Circular Decorative Grate - Class B
- ___ -SDD Stainless Steel Diagonal Decorative Grate - Class B
- ___ -SMG Stainless Steel Mesh Grate - Class A
- ___ -SOG Stainless Steel Decorative Grate - Class B

Grate Options (Load Classifications are per DIN EN1433)

- ___ -BDC Black Acid Resistant Epoxy Coated Ductile Grate - Class C
- ___ -BDE Black Acid Resistant Epoxy Coated Ductile Grate - Class E
- ___ -DC Ductile Iron Solid Cover - Class C
- ___ -DGC Ductile Iron Slotted Grate - Class C
- ___ -DGE Ductile Iron Slotted Grate - Class E
- ___ -HPD Heel-Proof Ductile Slotted Grate - Class C
- ___ -HPP Heel-Proof Polyethylene Grate - Class A
- ___ -LD Ductile Iron Longitudinal Slotted Grate - Class B
- ___ -RFSC Reinforced Slotted Stainless Steel Grate - Class C
- ___ -RPSC Reinforced Perforated Stainless Steel Grate - Class C
- ___ -RPSRC Reinforced Perforated Stainless Steel Reversed Punch Grate - Class C

MADE in the U.S.A. (Load Classifications are per DIN EN1433)

- ___ -BDE Black Acid Resistant Epoxy Coated Ductile Grate - Class E
- ___ -DGC-USA Ductile Iron Slotted Grate - Class C
- ___ -DGE-USA Ductile Iron Slotted Grate - Class E
- ___ -FS Fabricated Stainless Steel Slotted Grate - Class A *
- ___ -PPC Plastic Perforated Grate - Class C
- ___ -PS Perforated Stainless Steel Grate - Class A

Decorative MADE in the U.S.A. (Load Classifications are per DIN EN1433)

- ___ -BZ Bronze Decorative Grate - Class A
- ___ -NBZ Nickel Bronze Decorative Grate - Class A
- ___ -PSR Perforated Stainless Steel Raised Grate - Class A
- ___ -SWG Stainless Steel Wire Grate - Class A

* Regularly furnished unless otherwise specified.