



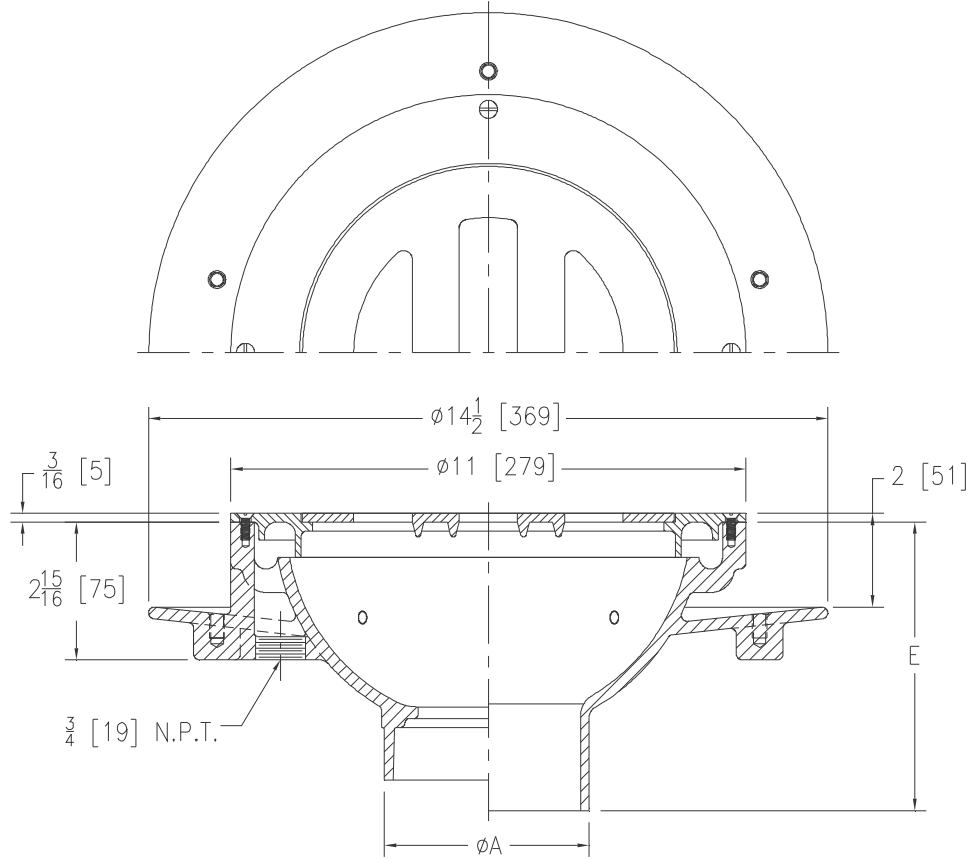
Z310-FG

THOROFLUSH DRAIN W/ FREE SET GRATE

SPECIFICATION SHEET

TAG _____

Dimensional Data (inches and [mm]) are Subject to Manufacturing Tolerances and Change Without Notice



A Pipe Size Inches[mm]	Approx. Wt. lbs.[kg]	Grate Open Area in. ² [cm ²]
2,3,4 [51,76,102]	20 [9]	16 [103]

ENGINEERING SPECIFICATION: ZURNZN310-FG

11" [279mm] Top Thoroflush drain, cast iron body with white acid resistant epoxy coated exterior and interior, bottom outlet with seepage pan, nickel bronze flushing rim top and slotted free set grate.

OPTIONS (Check/specify appropriate options)

PIPE SIZE

2,3,4 [51,76,102]
2,3,4 [51,76,102]

(Specify size/type) OUTLET

___ IP Threaded
___ NL Neo-Loc

'E' BODY HT. DIM.

5-1/2 [140]
5-3/4 [146]

PREFIXES

___ ZB Cast Iron Body w/A.R.C. Interior and Exterior w/Polished Bronze Top
___ ZN Cast Iron Body w/A.R.C. Interior and Exterior w/Polished Nickel Bronze Top*

SUFFIXES

___ -C Clamping Collar
___ -TC Neo-Loc Test Cap Gasket (2,3,4 [51,76,102] NL Bottom Outlet Only)
___ -VP Vandal-Proof Screw In Frame
___ -WB Water Supply Control Box (See Z1464)

* Regularly furnished unless otherwise specified.