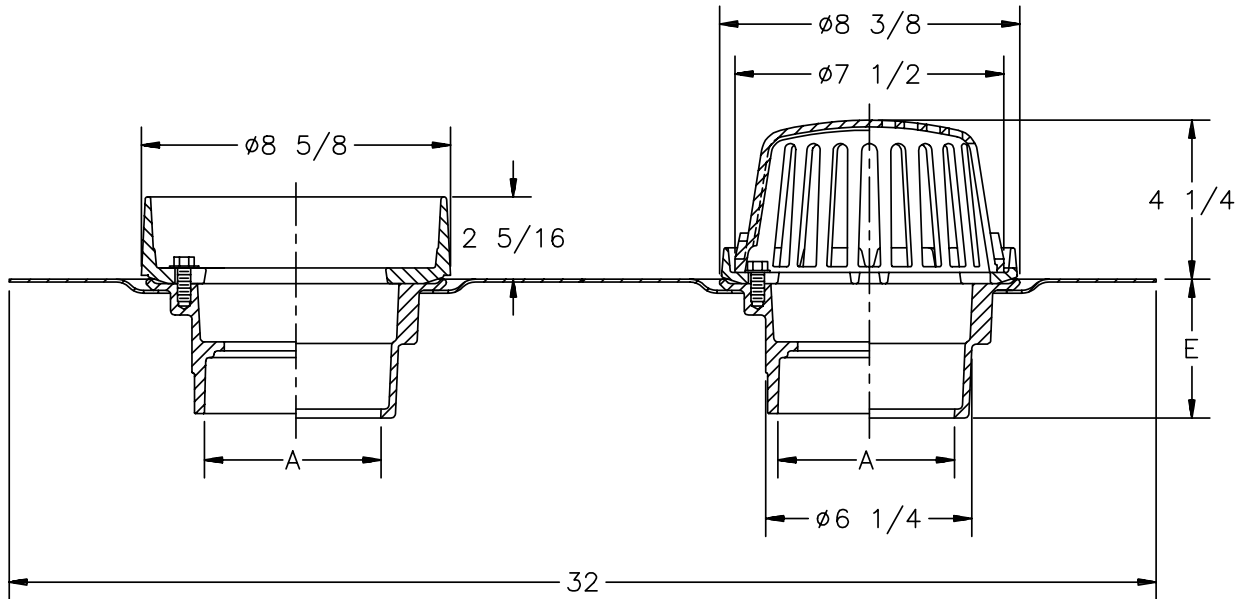




Z-125-92 8" DIAMETER ROOF DRAIN LOW SILHOUETTE DOME

TAG _____

Dimensions Subject to Manufacturing Tolerances



A Pipe Size In.	Approx. Wt. Lbs	Dome Open Area Sq. In.
2-3-4	16	43

ENGINEERING SPECIFICATION: ZURN Z-125-92 8" Diameter combination roof drain and overflow drain, Dura-Coated cast iron bodies with combination membrane flashing clamp/gravel guards, low silhouette cast iron dome, 2-5/16 high external water dam, and 16 x 32 roof sump receiver.

OPTIONS (Check/specify appropriate options)

OUTLET (Specify type)

- _____ **IC** Inside Caulk
- _____ **IG** Inside Caulk w/Sealtrol Gskt.
- _____ **IP** Threaded
- _____ **NH** No-Hub
- _____ **NL** Neo-Loc

PIPE SIZE (Specify size)

- _____ 2", 3", 4"
- _____ 2", 3", 4"
- _____ 2", 3", 4"
- _____ 2", 3", 4"
- _____ 2", 3", 4"

**'E' BODY HT.
DIMENSION**

- _____ 3-7/8"
- _____ 3-7/8"
- _____ 2-5/8"
- _____ 3-7/8"
- _____ 4-5/8"

PREFIXES

- _____ **Z-** D.C.C.I. Body with Dome*
- _____ **ZRB-** D.C.C.I. Body with Plain Bronze Dome

SUFFIXES

- _____ **-BS** Bronze Mesh Screen Over Dome
- _____ **-C** Underdeck Clamp
- _____ **-E** Static Extension 1" thru 4" (Specify Height)
- _____ **-G** Galvanized Cast Iron
- _____ **-S** Secondary Clamp Collar
- _____ **-SS** Stainless Mesh Screen Over Dome
- _____ **-VP** Vandal Proof Secured Top
- _____ **-XJ** Vertical Expansion Joint (See Z-190)
- _____ **-84** Stainless Steel Perforated Gravel Guard
- _____ **-85** Stainless Steel Perforated Extension
- _____ **-90** 90° Threaded Side Outlet Body (2" thru 4") (Previously Z-126)

*REGULARLY FURNISHED UNLESS OTHERWISE SPECIFIED

REV. _____	DATE: <u>7/24/92</u>	C.N. NO. <u>68434</u>
DWG. NO. <u>P-13721</u>	PRODUCT NO. <u>Z-125-92</u>	