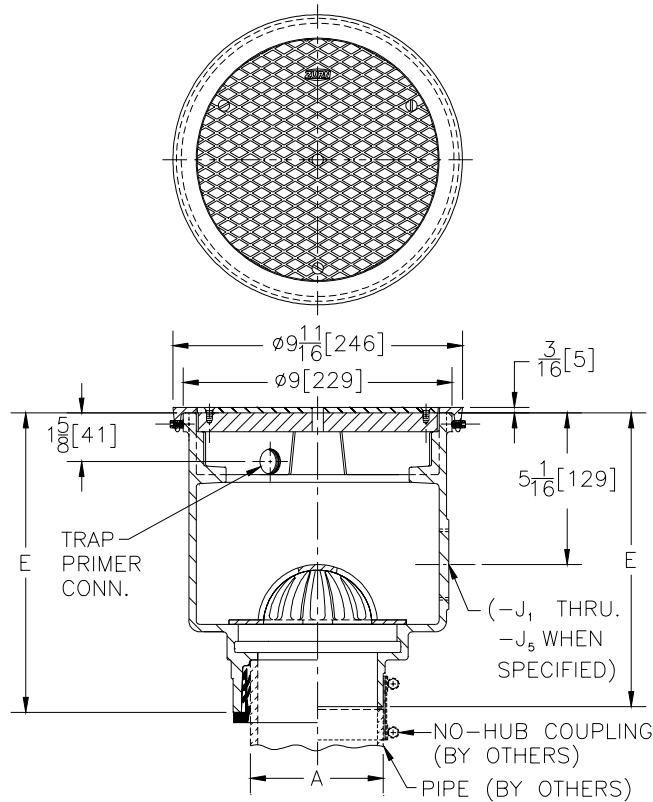




Z-517-76
9" [229] HEAVY DUTY DRAIN

TAG _____

Dimensional Data (inches and [mm]) are Subject to Manufacturing Tolerances and Change Without Notice



A- Pipe Size In.	Approx. Wt. Lbs. [kg]	Grate Open Area Sq. In. [cm ²]
3-4 [75-100]	40 [18]	18 [116]

ENGINEERING SPECIFICATION: ZURN Z-517-76 9 [229] Diameter top drain, acid resisting epoxy coated cast iron deep sump body with bottom outlet, and heavy duty cover, bronze veneer cover and frame, with aluminum bottom dome strainer and 1/2" N.P.T. trap primer connection.

OPTIONS (Check/specify appropriate options)

PIPE SIZE

- 3, 4 [75, 100]
- 3, 4 [75, 100]

(Specify size/type) **OUTLET**

- _____ NL Neo-Loc
- _____ NH No-Hub

'E' BODY HT. DIM.

- 10 [254]
- 9 13/16 [249]

PREFIXES

- _____ ZB- D.C.C.I. Body w/Polished Bronze Top*

SUFFIXES

- | | |
|--|---|
| _____ -J ₁ One Auxiliary Inlet Conn.
(Specify 1 1/2 or 2" IP) | _____ -SG Solid Gasketed Cover |
| _____ -J ₂ Two Auxiliary Inlet Conn's. 90° Apart
(Specify 1 1/2 or 2" IP) | _____ -TS Top Secured With Slotted Screws |
| _____ -J ₃ Two Auxiliary Inlet Conn's. 180° Apart
(Specify 1 1/2 or 2" IP) | _____ -V Backwater Valve |
| _____ -J ₄ Three Auxiliary Inlet Conn's.
(Specify 1 1/2 or 2" IP) | _____ -VP Vandal Proof Secured Top |
| _____ -J ₅ Four Auxiliary Inlet Conn's.
(Specify 1 1/2 or 2" IP) | _____ -W Winter Closure Plug (See Z-511) |
| | _____ -Y Sediment Bucket |

REV.	DATE: 3/10/97	C.N. NO. 77645
DWG. NO. P-14447 PRODUCT NO. Z-517-76		

*REGULARLY FURNISHED UNLESS OTHERWISE SPECIFIED