



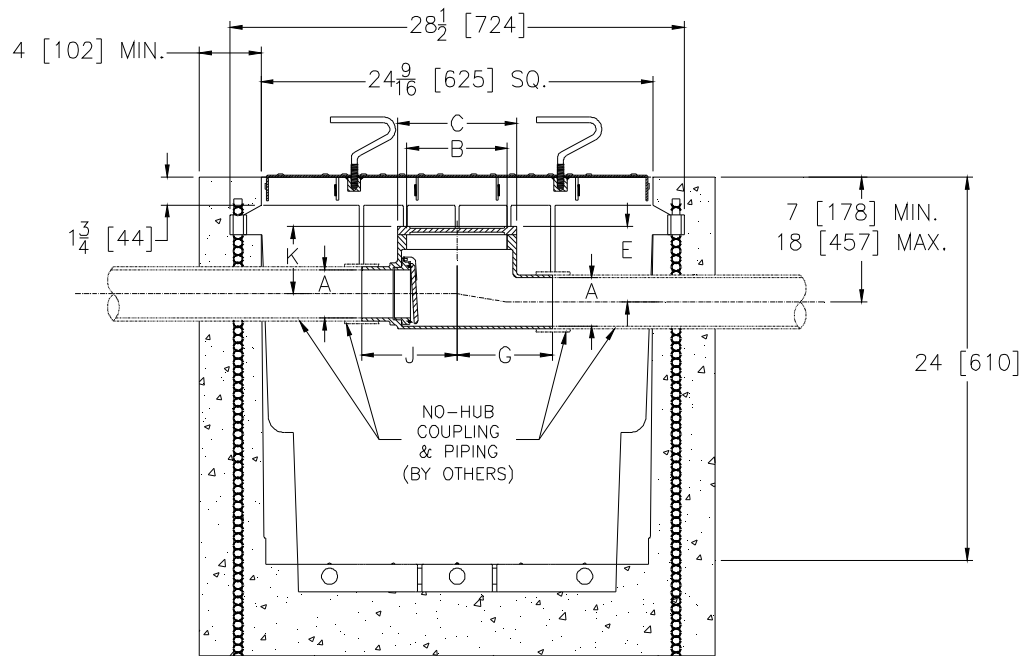
Z1090-81

BACKWATER VALVE ACCESS BOX W/ Z887-24, LIGHT DUTY TREAD PLATE COVER, AND REMOVABLE LIFT HANDLES

SPECIFICATION SHEET

TAG _____

Dimensional Data (inches and [mm]) are Subject to Manufacturing Tolerances and Change Without Notice



Dimensions In Inches [mm]							Approx. Wt. Lbs. [Kg.]
A Pipe Size	B	C	E	G	J	K	
2 [51]	5-1/4 [133]	6-1/2 [165]	4-5/8 [117]	4-7/8 [124]	5-1/4 [133]	3-5/8 [92]	16 [7]
3 [76]			4-1/8 [105]				17 [8]
4 [102]	6-3/8 [162]	7-1/2 [190]	4-3/4 [121]	6 [152]	6 [152]	4-1/4 [108]	22 [10]

ENGINEERING SPECIFICATION: ZURN Z1090-81

Backwater Valve, Dura-Coated cast iron body with No-Hub inlet and outlet, gasketed bolted cover, automatic type ABS valve seat and flapper which hangs slightly open during periods of non-operation. Complete with Z887-24 catch basin and light duty tread plate cover with removable lift handles.

CONNECTIONS (Check/specify appropriate options)

PIPE SIZE

2, 3, 4 [51, 76, 102]

(Specify size) **CONNECTION**

____ NH No-Hub

PREFIXES

____ Z D.C.C.I. Body*

SUFFIXES

- ____ -BP Bronze Threaded Plug Cover
- ____ -BV Bronze Flapper Valve (3, 4 [76, 102] Size)
- ____ -G Galvanized Cast Iron
- ____ -HD Heavy Duty Tread Plate Cover and Frame
- ____ -EXT 12 [305] Extension

* Regularly furnished unless otherwise specified.

Zurn Industries, LLC | Specification Drainage Operation
 1801 Pittsburgh Avenue, Erie, PA U.S.A. 16502 · Ph. 855-663-9876, Fax 814-454-7929
 In Canada | Zurn Industries Limited
 3544 Nashua Drive, Mississauga, Ontario L4V 1L2 · Ph. 905-405-8272, Fax 905-405-1292
www.zurn.com

Rev. A
 Date: 02/12/16
 C.N. No. 133955
 Prod. | Dwg. No. Z1090-81