



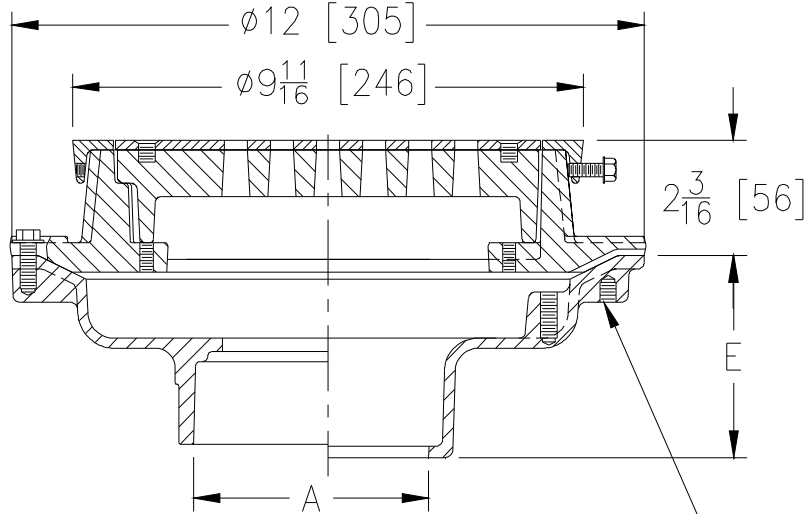
Z508-92

9 [229] EXTRA-HEAVY-DUTY DRAIN W/ STAINLESS STEEL VENEER

SPECIFICATION SHEET

TAG _____

Dimensional Data (inches and [mm]) are Subject to Manufacturing Tolerances and Change Without Notice



FOUR 3/8-16 NC TAPPINGS PROVIDED ON UNDERSIDE FOR -SA SUFFIX OPTION ONLY

A Pipe Size In.	Approx. Wt. Lbs. [kg]	Grate Open Area Sq. In. [cm ²]
2-3-4 [51-76-102]	23 [10]	18 [116]
6 [152]	27 [12]	

ENGINEERING SPECIFICATION: ZURN Z508-92
9 [229] Diameter top drain, Dura-Coated cast iron body with bottom outlet, seepage pan and combination membrane flashing clamp and frame for extra-heavy-duty cast iron deep flange slotted grate with stainless steel veneer.

OPTIONS (Check/specify appropriate options)

PIPE SIZE

- 2-3-4 [51-76-102]
- 2-3-4 [51-76-102]
- 2-3-4 [51-76-102]
- 2-3-4 [51-76-102]
- 6 [152]
- 2-3-4 [51-76-102]

(Specify size/type) **OUTLET**

- ___ IC Inside Caulk
- ___ IG Inside Gasket
- ___ IP Threaded
- ___ NH No-Hub
- ___ NH No-Hub
- ___ NL Neo-Loc

'E' BODY HT. DIM.

- 3-3/4 [95]
- 3-3/4 [95]
- 2-3/4 [70]
- 4-3/4 [121]
- 5-1/4 [133]
- 3-9/16 [90]

PREFIXES

- ___ ZS D.C.C.I. Body with Polished Stainless Steel Top (Add 3/16 [5] to 2 [51] Dim. and 3/4 [20] to 9 [229] Dim.)

SUFFIXES

- | | |
|--|--|
| ___ -AR Acid Resisting Epoxy Coated Cast Iron | ___ -TS Top Secured with Slotted Screws |
| ___ -DG Duresist Grate | ___ -V Backwater Valve (See Z1099) |
| ___ -F Extension Frame (Specify Total Height Req'd.) | ___ -VP Vandal-Proof Secured Top |
| ___ -G Galvanized Cast Iron | ___ -Y Sediment Bucket |
| ___ -HP Heel-Proof Grate | ___ -90 90° Threaded Side Outlet Body (2 thru 4 [51 thru 102]) |
| ___ -P TrapPrimerConnection | |
| ___ -S Secondary Strainer | |
| ___ -SA Stabilizer Assembly (See Z1036) | |
| ___ -TC Neo-Loc Test Cap Gasket (2 [51]-4 [102] NL Bottom Outlet Only) | |

REV.	DATE: 01/02/12	C.N. NO. 122593
DWG. NO. 308538		PRODUCT NO. Z508-92

*REGULARLY FURNISHED UNLESS OTHERWISE SPECIFIED